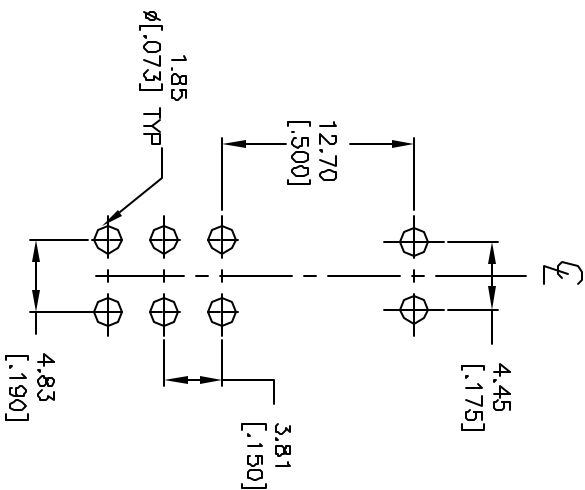
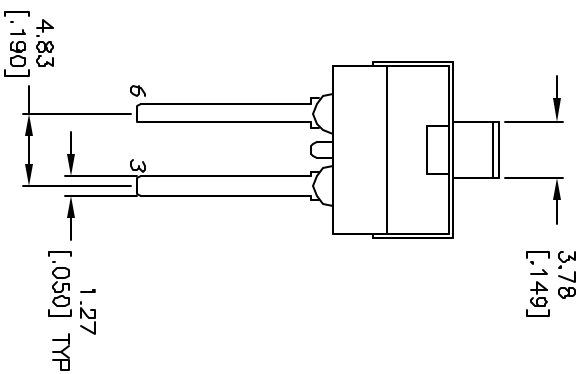
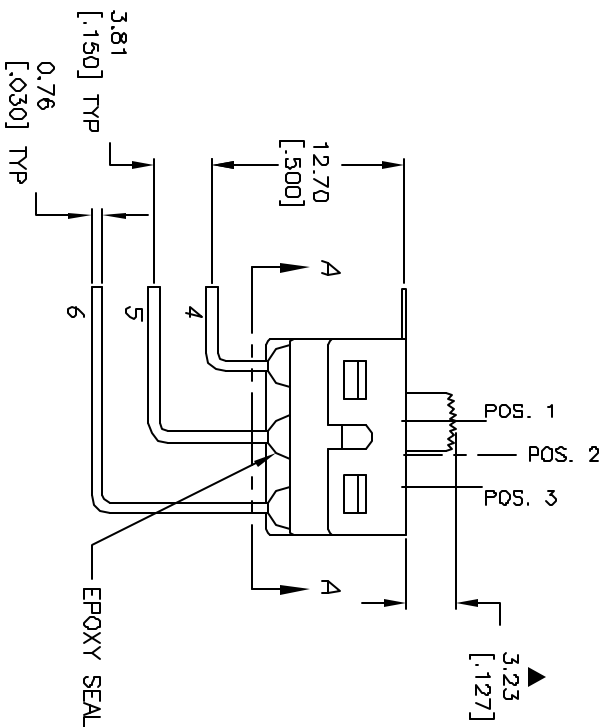
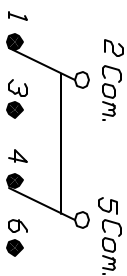


SECTION A-A
BRACKET NOT SHOWN



RECOMMEND P.C.B. LAYOUT



CIRCUIT: DPDT
CONTACT CONFIGURATION

SWITCH FUNCTION		
POS. 1	POS. 2	POS. 3
DN	NONE	DN
2-1, 5-4	OPEN	2-3, 5-6

NOTES:

1. ALL DIMENSIONS IN MM [INCH]
2. GENERAL TOLERANCE: 0.0=±0.4
0.00=±0.25
3. TERM. NOS. FOR REF. ONLY
4. RATING: 5A @120VAC or 28VDC; 2A @250VAC.
5. TRAVEL TO MAKE: 2.16 [0.085]
6. ▲ DENOTES CRITICAL PARAMETER.

REV.	ECN No.	DESCRIPTION	DATE	CHKD
A	13286	RELEASED FOR PRODUCTION	6/27/03	AR

TITLE	SCALE	DATE	DR	DWG	REV
500SDP1S4M7QEA	2:1	6/27/03	AR	T522007	A



THE INFORMATION CONTAINED IN THIS DOCUMENT IS PROPRIETARY TO E-SWITCH AND IS NOT TO BE COPIED OR TRANSFERRED