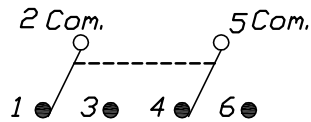
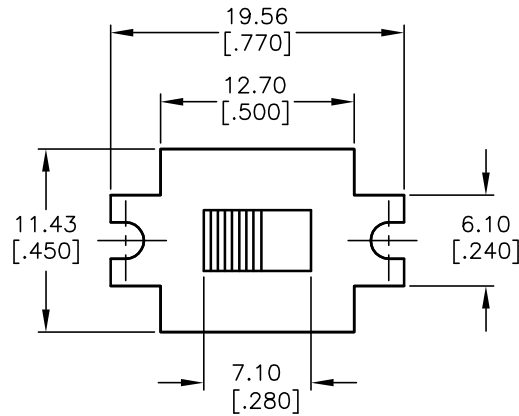


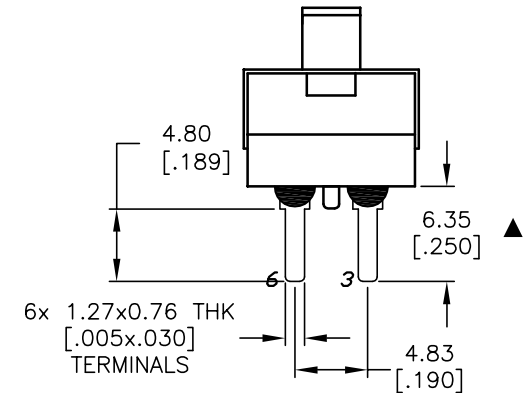
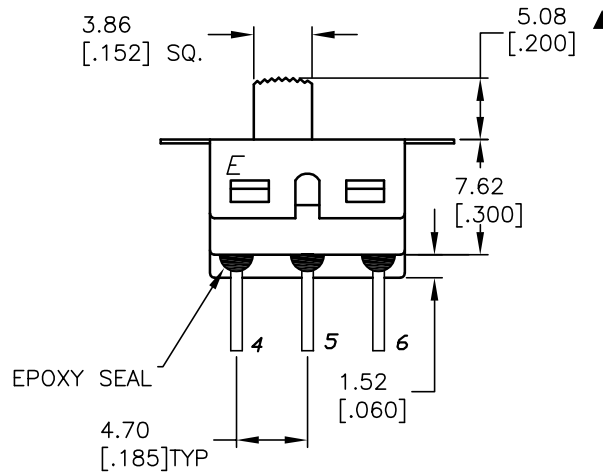
RECOMMENDED P.C.B. LAYOUT



CONTACT CONFIGURATION

DPDT

SWITCH FUNCTION		
PDS. 1	PDS. 2	PDS. 3
ON	OFF	ON
2-1,5-4	OPEN	2-3,5-6



NOTES:

- ALL DIMENSIONS IN MM [INCH]
- GENERAL TOLERANCE: X.X=±0.4
X.XX=±0.25
- TERM. NOS. FOR REFERENCE ONLY.
- RATING: 5A@120V AC OR 28V DC, 2A@250V AC
- FIXED AND MOVING: SILVER PLATE
- CONTACT RESISTANCE: 10mΩ TYP
- INSULATION RESISTANCE: 1,000 MΩ min.
- ELECTRICAL LIFE: 30,000 ACTUATIONS @ FULL LOAD
- OPERATING TEMP: -30°C TO 85°C
- DIELECTRIC STRENGTH: 1,000 V RMS@ SEA LEVEL
- ▲ DENOTES CRITICAL PARAMETER.

E-SWITCH®

TITLE		500SDP3S1M2QEB		
SCALE	DATE	DR	DWG	REV
2:1	11/9/04	AR	T521023	A

A	14475	RELEASED FOR PRODUCTION	11/9/04	AR
REV.	ECN No.	DESCRIPTION	DATE	CHKD
<p>THE INFORMATION CONTAINED IN THIS DOCUMENT IS PROPRIETARY TO E-SWITCH AND IS NOT TO BE COPIED OR TRANSFERRED</p>				