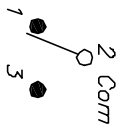
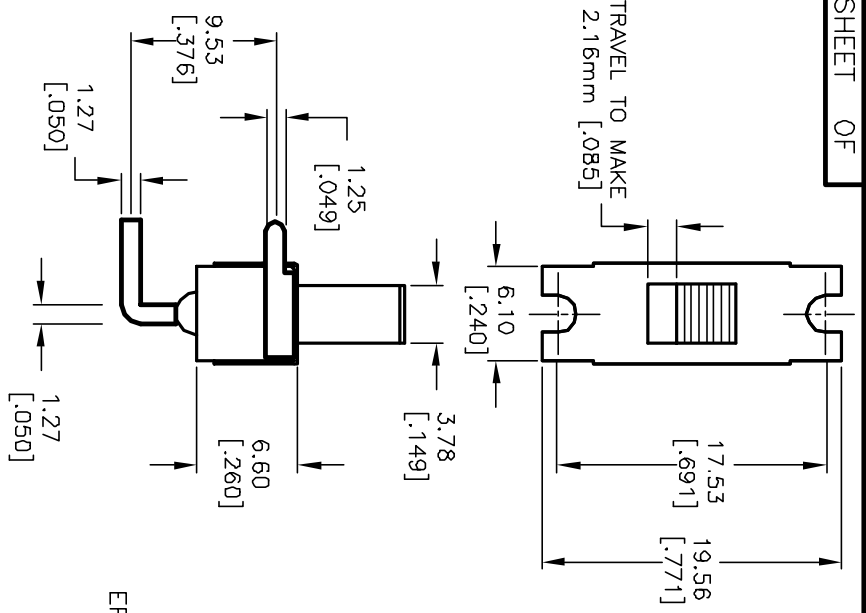
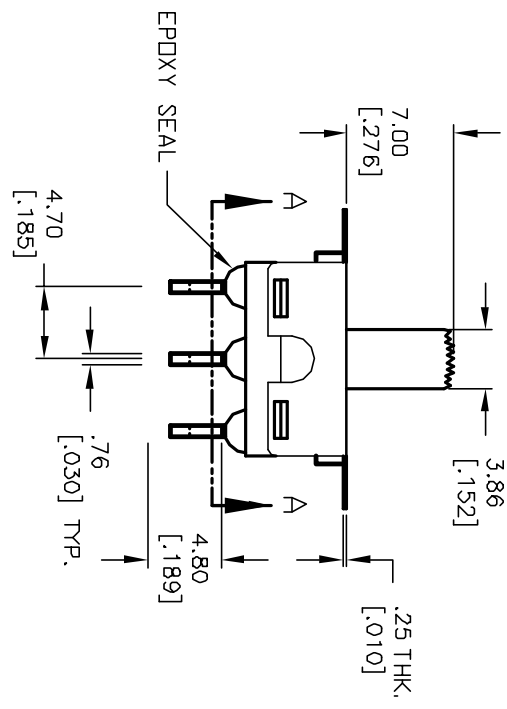


TRAVEL TO MAKE
2.16mm [.085]



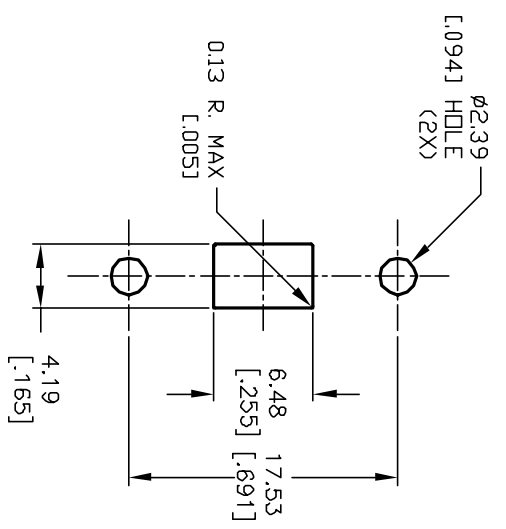
CIRCUIT, SPDT

SWITCH FUNCTION		
PDS. 1	PDS. 2	PDS. 3
<input checked="" type="checkbox"/>	<input checked="" type="checkbox"/>	<input checked="" type="checkbox"/>
DN	NONE	DN
2-1	OPEN	2-3

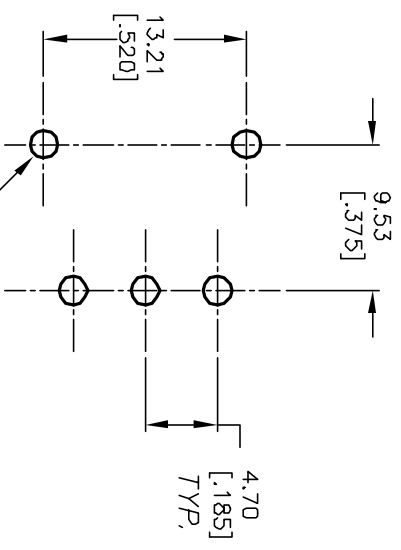


NOTES:

1. ALL DIMENSIONS IN MM [INCH]
2. GENERAL TOLERANCE: X.X=±0.4
X.XX=±0.25
3. TERM NOS. FOR REF. ONLY
4. RATING: 5A @120VAC or 28VDC (Resistive Load)
2A @250VAC
5. CONTACT MATERIAL: Copper Alloy w/Silver Plating
6. INSULATION RESISTANCE: 1000 Mega Ohms min.
7. DIELECTRIC STRENGTH: 1000V RMS @SEA LEVEL.
8. OPERATING TEMPERATURE: -30°C TO 85°C



RECOMMENDED PANEL CUTOUT



RECOMMENDED P.C.B. LAYOUT

E-SWITCH®

REV. A	ECN No. 11734	RELEASED FOR PRODUCTION	10/12/01	CJB	TITLE	500 SSP-1 S2 M6 Q E B	SCALE	2:1	DATE	10/12/01	DR	CJB	DWG	TS11036	REV	A
<p>THE INFORMATION CONTAINED IN THIS DOCUMENT IS PROPRIETARY TO E-SWITCH AND IS NOT TO BE COPIED OR TRANSFERRED</p>																