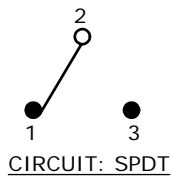


P.C.B. LAYOUT

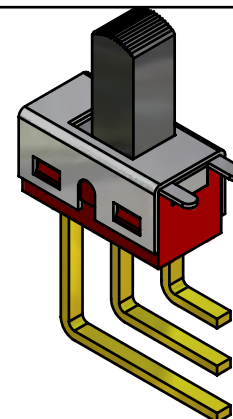
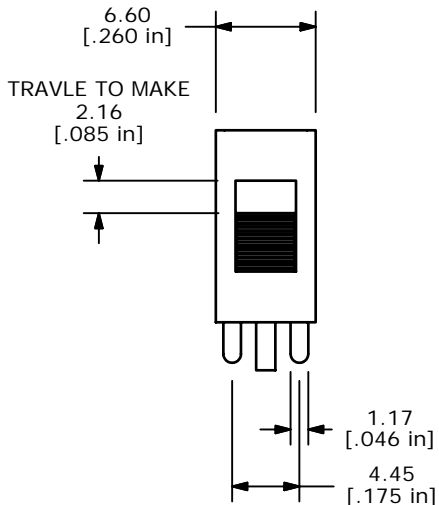
| SWITCH FUNCTION |        |        |
|-----------------|--------|--------|
| POS. 1          | POS. 2 | POS. 3 |
|                 |        |        |
| ON              | NONE   | ON     |
| 2-1             | N/A    | 2-3    |

(E)

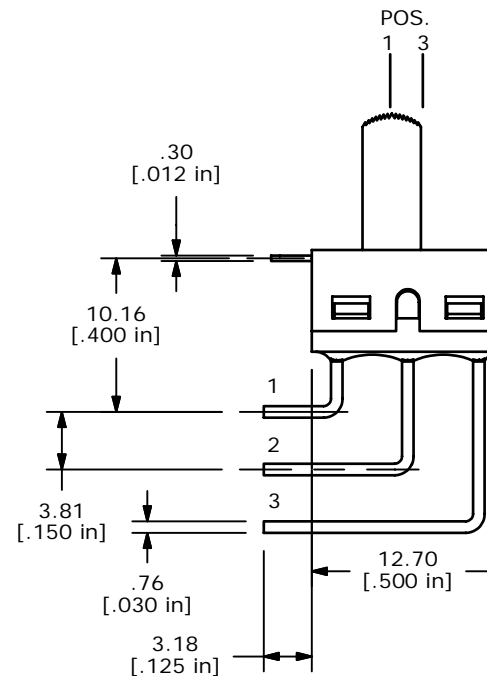
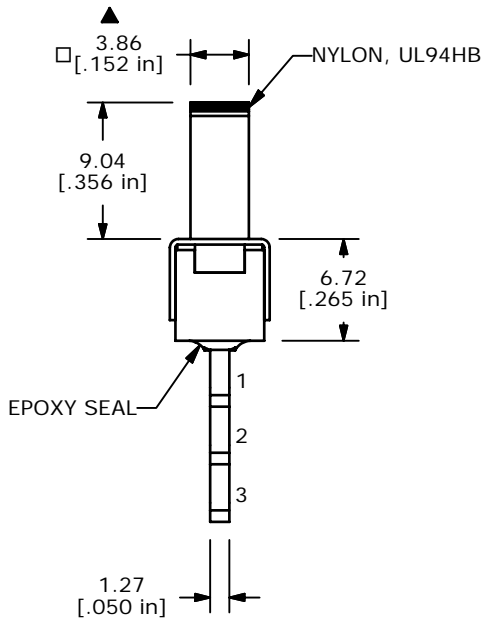


NOTE:

1. ALL DIMENSIONS IN MM [INCH]
2. GENERAL TOLERANCE: X.X=±0.4  
X.XX=±0.25
3. TERMINAL NUMBERS FOR REF ONLY
- ▲ 4. PLATING MATERIAL: GOLD
5. RATING: 0.4 (VA) MAX. @20V MAX. (AC OR DC)
6. ELECTRIC LIFE: 30,000 ACTUATIONS AT FULL LOAD. (E)
7. INSULATION RESISTANCE: 1,000 MEGA-OHM MIN.
8. DIELECTRIC STRENGTH: 1,000 V RMS @SEA LEVEL.
9. OPERATING TEMP.: -30°C to 85°C
10. ▲ DENOTES CRITICAL PARAMETER.



ISOMETRIC



|     |        |                                 |           |    |
|-----|--------|---------------------------------|-----------|----|
| F   | 15262  | DIM TO 10.16 FROM 8.93          | 9/12/05   | PH |
| E   | 15220  | CHANGES NOTED WITH (E)          | 9/1/05    | PH |
| D   | 15192  | CHANGED DIM. FROM 8.93 TO 10.16 | 8/22/2005 | PH |
| C   | 14954  | REVISED AND REDRAWN             | 5/25/05   | JB |
| REV | PCR NO | DESCRIPTION                     | DATE      | BY |

THE INFORMATION CONTAINED IN THIS DOCUMENT IS PROPRIETARY TO E-SWITCH AND IS NOT TO BE COPIED OR TRANSFERRED

**E-SWITCH®**

TITLE 500SSP1S3M7REA

|       |           |     |         |     |
|-------|-----------|-----|---------|-----|
| SCALE | DATE      | DR  | DWG     | REV |
| 2:1   | 8/19/2002 | CJB | T513001 | F   |