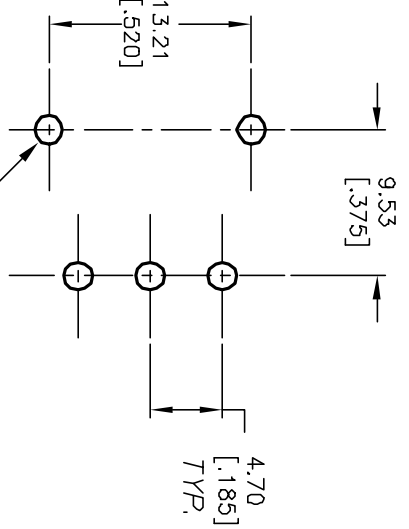
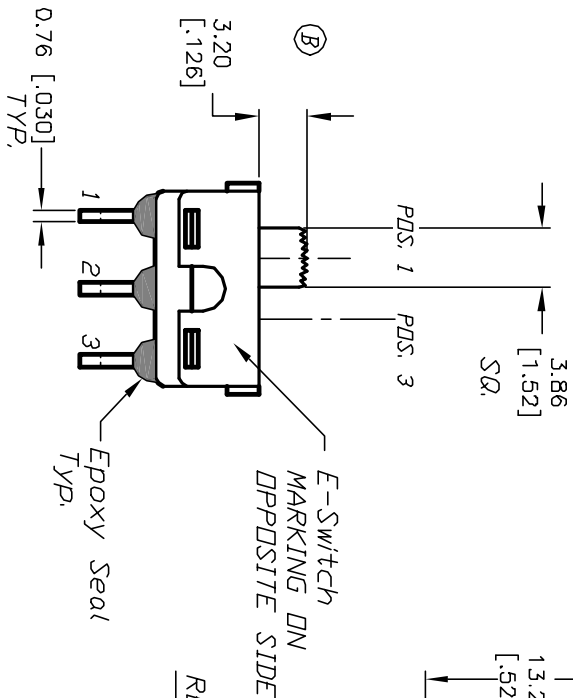
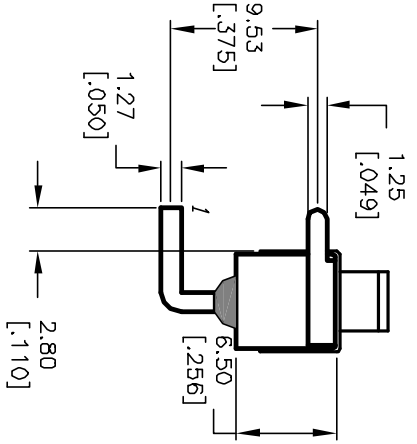
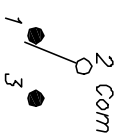


TRAVEL
SEE NOTE 10



RECOMMENDED P.C.B. LAYOUT

CIRCUIT: SPDT



SWITCH FUNCTION			
PDS. 1	PDS. 2	PDS. 3	
DN	NONE	DN	
2-1	DPEN	2-3	

NOTES:

1. ALL DIMENSIONS IN MM [INCH]
2. GENERAL TOLERANCE: X.X=±0.4 X.XX=±0.25
3. TERM NOS. FOR REF. ONLY
4. RATING: 5A @120 (Resistive Load)
2A @250VAC
5. CONTACT MATERIAL:
Copper Alloy w/Silver plate
6. ELECTRICAL LIFE: 30,000 ACTUATIONS @Full Load
7. INSULATION RESISTANCE: 1000 Mega Ohms min.
8. DIELECTRIC STRENGTH: 1000V RMS @SEA LEVEL.
9. OPERATING TEMPERATURE: -30°C TO 85°C
10. TRAVEL: 2.16mm

(B)

B	12386	REVISED DESCRIPTION/ACT.	8/26/02	CJB
A	11849	RELEASED FOR PRODUCTION	12/10/01	RSB
REV.	ECN No.	DESCRIPTION	DATE	CHKD

THE INFORMATION CONTAINED IN THIS DOCUMENT IS PROPRIETARY TO E-SWITCH AND IS NOT TO BE COPIED OR TRANSFERRED

E-SWITCH®

500 SSP-1 S4 M6 Q E A

TITLE	SCALE	DATE	DR	DWG	REV
500 SSP-1 S4 M6 Q E A	2:1	12/07/01	RSB	TS11024	B