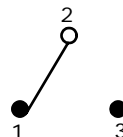


RECOMMENDED PANEL CUTOUT

B

SWITCH FUNCTION		
POS. 1	POS. 2	POS. 3
ON	NONE	(ON)
2-1	OPEN	2-3

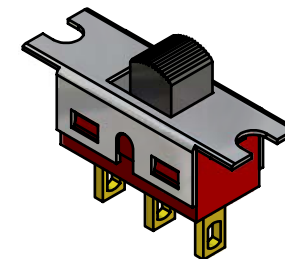
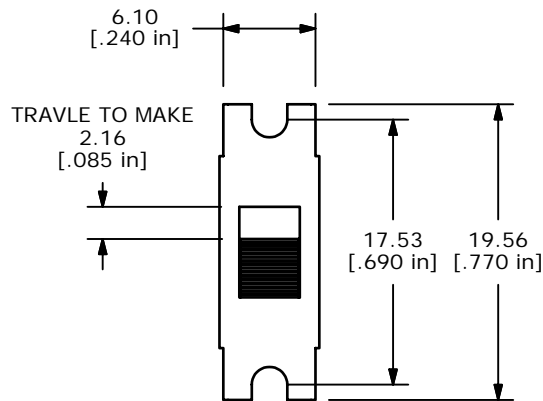
(ON)=MOMENTARY



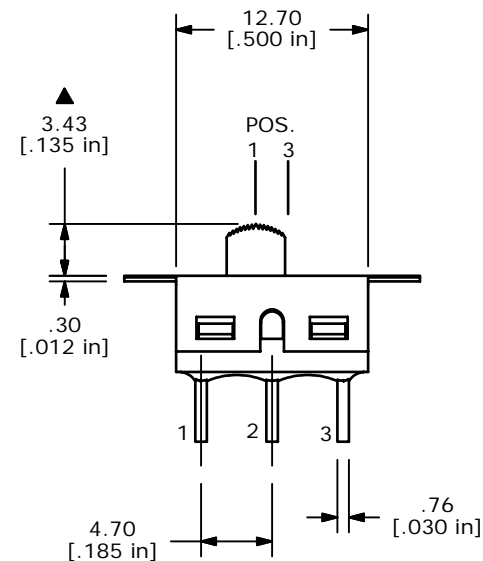
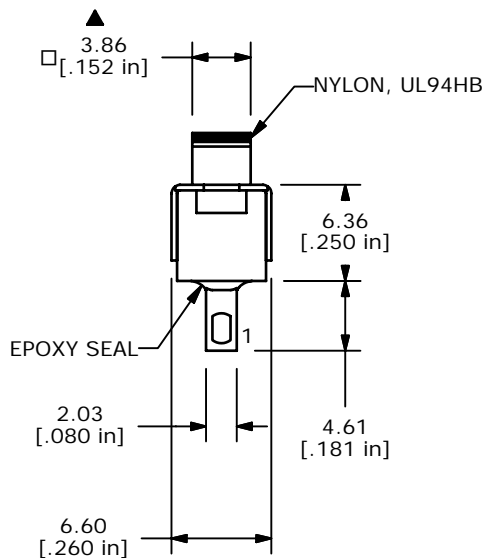
CIRCUIT: SPDT

NOTE:

1. ALL DIMENSIONS IN MM [INCH]
2. GENERAL TOLERANCE: X.X=±0.4  
X.XX=±0.25
3. TERMINAL NUMBERS FOR REF ONLY
- ▲ 4. PLATING MATERIAL: GOLD
5. RATING: 0.4 (VA) MAX. @20V MAX.
6. ELECTRIC LIFE: 30,000 ACTUATIONS AT FULL LOAD.
7. INSULATION RESISTANCE: 1,000 MEGA-OHM MIN.
8. DIELECTRIC STRENGTH: 1,000 V RMS @SEA LEVEL.
9. OPERATING TEMP.: -30°C to 85°C
10. ▲ DENOTES CRITICAL PARAMETER.



ISOMETRIC



B	14973	CHANGED FUNCTION TABLE	6/2/05	JB
A	14916	RELEASED FOR PRODUCTION	5/18/05	JB
REV	PCR NO	DESCRIPTION	DATE	BY

TITLE 500SSP2S4M1REB				
SCALE 2:1	DATE 5/18/2005	DR JB	DWG T505001	REV B

THE INFORMATION CONTAINED IN THIS DOCUMENT IS PROPRIETARY TO E-SWITCH AND IS NOT TO BE COPIED OR TRANSFERRED