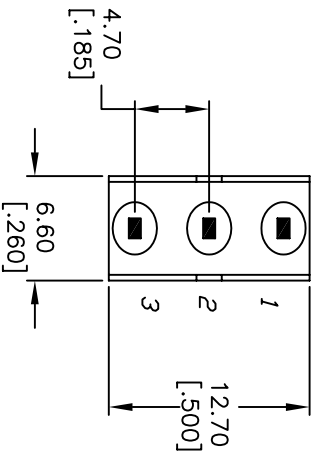
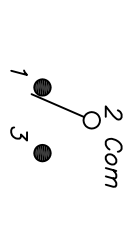


RECOMMENDED P.C.B. LAYOUT



NOTES:

1. ALL DIMENSIONS IN MM [INCH]
2. GENERAL TOLERANCE: X.X=±0.4 X.XX=±0.25
3. TERM NOS. FOR REF. ONLY
4. RATING: 5A @120VAC or 28VDC: 2A @250VAC
5. CONTACT MATERIAL:
Copper Alloy w/Silver plate
6. ELECTRICAL LIFE: 30,000 ACTUATIONS @Full Load
7. INSULATION RESISTANCE: 1000 Mega Ohms min.
8. DIELECTRIC STRENGTH: 1000V RMS @SEA LEVEL.
9. OPERATING TEMPERATURE: -30°C TO 85°C



CIRCUIT: SPDT

SWITCH FUNCTION		
PDS. 1	PDS. 2	PDS. 3
DN	DN	DN
DN	DN	DN
2-1	OPEN	2-3

E-SWITCH®

D	15310	DIM TD 3.30 FROM 2.16	9/21/05	PH
C	11645	REVISED AND REDRAWN	9/6/01	CJB
REV.	ECN NO.	DESCRIPTION	DATE	CHKD

TITLE		500 SSP-3 S1 M2 Q E A	
SCALE	DATE	DR	DWG
2:1	9/6/01	CJB	T522002
THE INFORMATION CONTAINED IN THIS DOCUMENT IS PROPRIETARY TO E-SWITCH AND IS NOT TO BE COPIED OR TRANSFERRED		REV	D