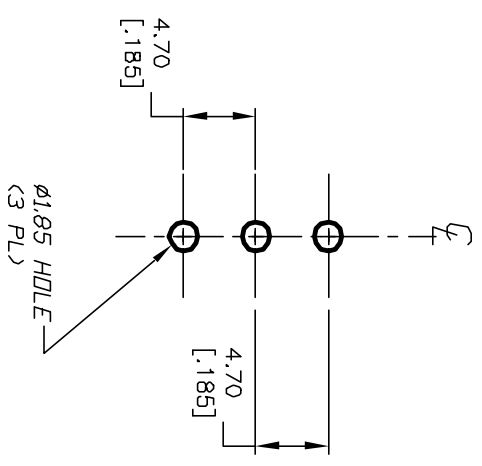
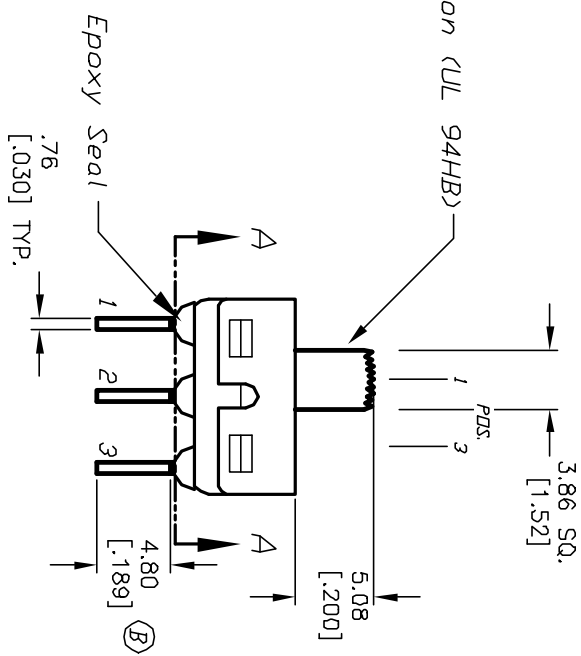
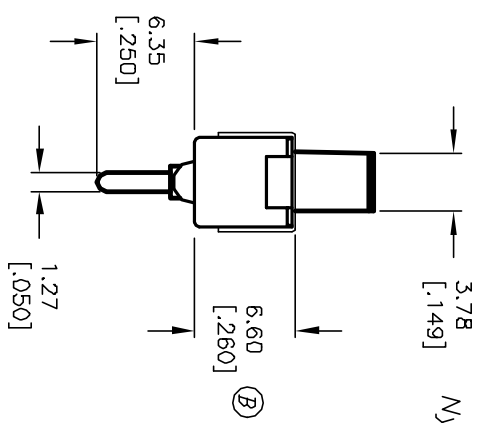
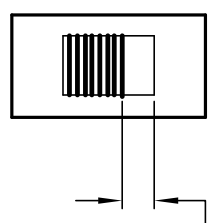
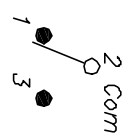


2.16mm TRAVEL TO MAKE



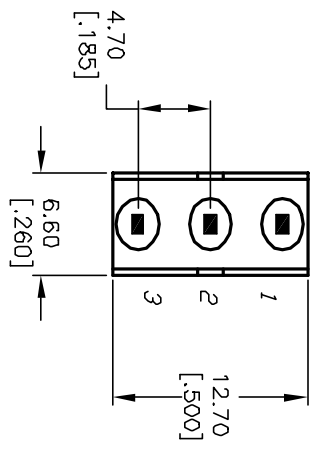
RECOMMENDED P.C.B. LAYOUT



CIRCUIT: SPDT

NOTES:

1. ALL DIMENSIONS IN MM [INCH]
2. GENERAL TOLERANCE: X.X=±0.4 X.XX=±0.25
3. TERM. NOS. FOR REF. ONLY
4. RATING: 0.4VA @20V max. (AC or DC)
5. CONTACT MATERIAL: Copper Alloy w/Gold plate over Nickel plate
6. ELECTRICAL LIFE: 30,000 ACTUATIONS @Full Load
7. INSULATION RESISTANCE: 1000 Mega Ohms min.
8. DIELECTRIC STRENGTH: 1000V RMS @SEA LEVEL.
9. OPERATING TEMPERATURE: -30°C TO 85°C



SWITCH FUNCTION		
PDS. 1	PDS. 2	PDS. 3
DN	DN	DN
DN	OFF	DN
2-1	OPEN	2-3

E-SWITCH®

REV. B	11645	REVISION AND REDRAWN	9/6/01	CJB	TITLE	500 SSP-3 S1 M2 R E A (GOLD CONTACTS)	SCALE	2:1	DATE	9/6/01	DR	CJB	DWG	T522003	REV	B
ECN No.	DESCRIPTION		DATE	CHKD												
THE INFORMATION CONTAINED IN THIS DOCUMENT IS PROPRIETARY TO E-SWITCH AND IS NOT TO BE COPIED OR TRANSFERRED																