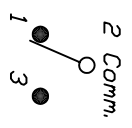
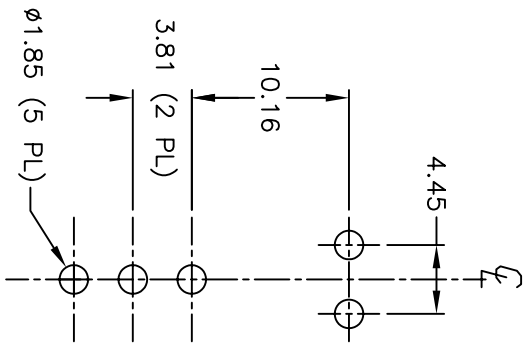
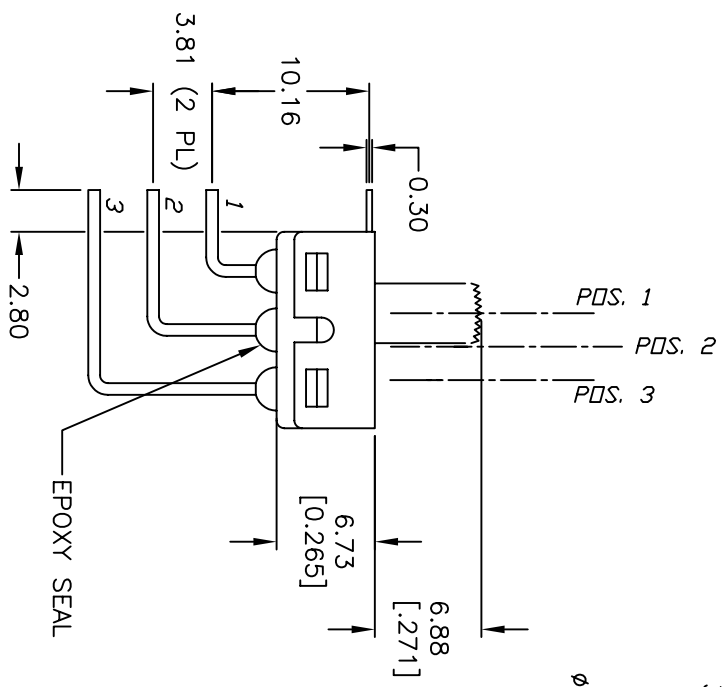


- NOTES:
1. ALL DIMENSIONS IN MM
  2. GENERAL TOLERANCE: 0.00=±0.25
  3. TRAVEL TO MAKE: 2.16mm
  4. RATING: 5 Amps @120VAC or 28VDC; 2 Amps @250VAC.
  5. CONTACT: SILVER PLATED COPPER ALLOY
  6. DIELECTRIC STRENGTH: 1,000 V RMS @SEA LEVEL
  7. OPERATING TEMP: -30°C TO +85°C
  8. INSUL RESISTANCE: 1,000M-ΩHM MIN
  9. ELECTRICAL LIFE: 30,000 ACTUATIONS AT FULL LOAD.
  10. 2002/95/EC (ROHS) COMPLIANT.

C	17350	FIXED HOUSING DIM.	6/1/07	TN
B	16272	6.88 WAS 7.62, ADD NOTE 10	7/27/06	BK
A	10949	RELEASED FOR PRODUCTION	9/13/00	PML
REV.	ECN No.	DESCRIPTION	DATE	CHKD

TITLE		SCALE	DATE	DR	DWG	REV
500SSP3S2M7QEA		2:1	6/1/07	TN	T551004	C



SWITCH FUNCTION			
PDS. 1	PDS. 2	PDS. 3	
DN	DN	DN	DN
DN	DNF	DN	DN
2-1	OPEN	2-3	2-3

CONTACT CONFIGURATION

THE INFORMATION CONTAINED IN THIS DOCUMENT IS PROPRIETARY TO E-SWITCH AND IS NOT TO BE COPIED OR TRANSFERRED