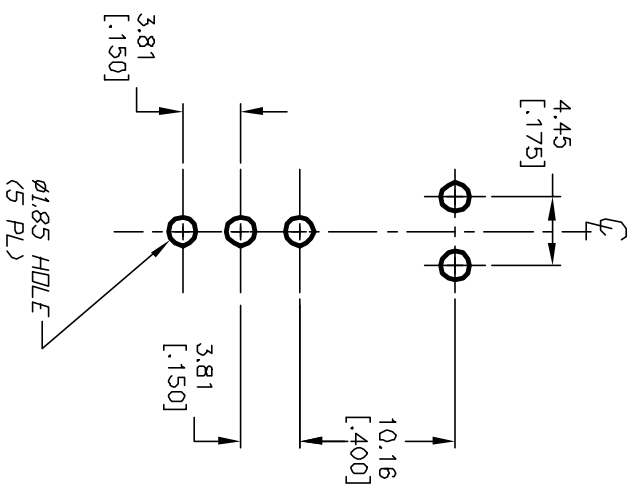
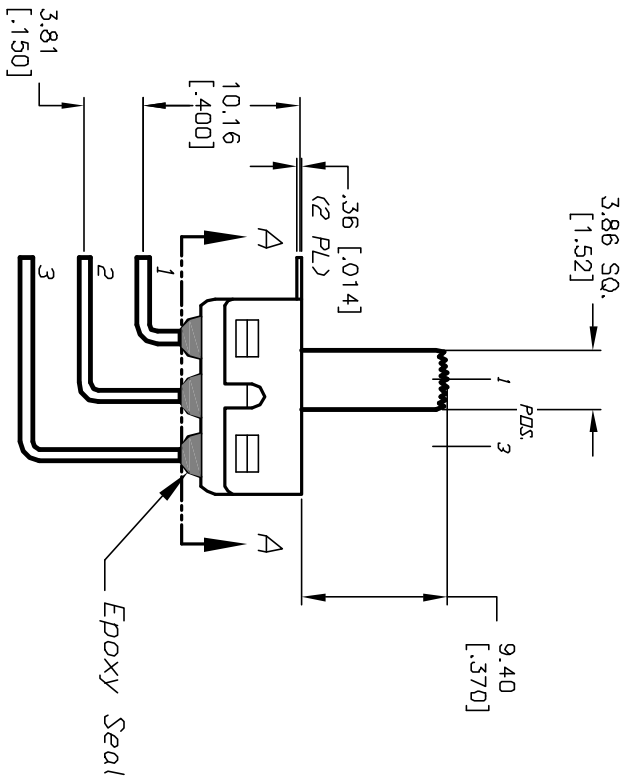
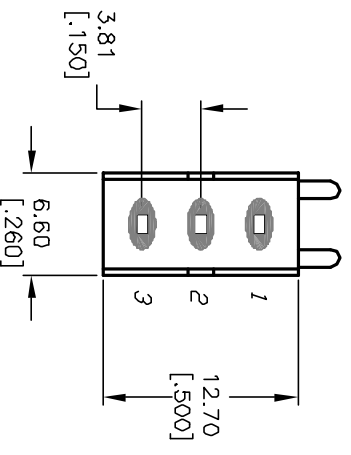
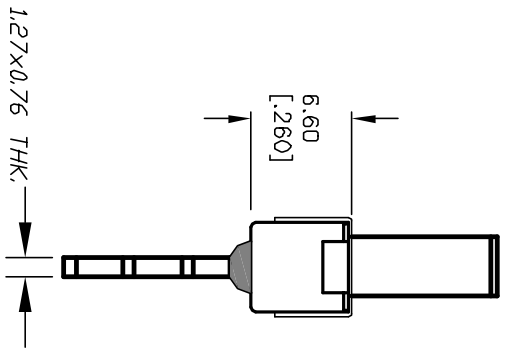
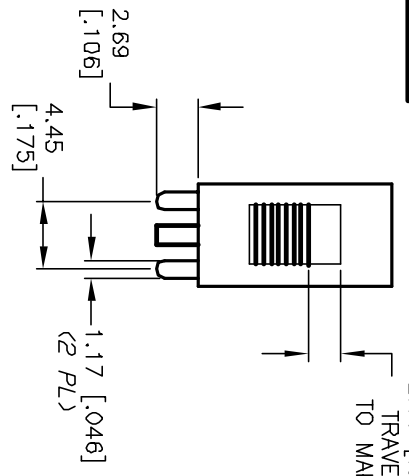


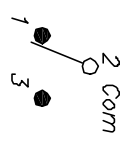
2.16 [.085]
TRAVEL
TO MAKE



NOTES:

1. ALL DIMENSIONS IN MM [INCH]
2. GENERAL TOLERANCE: X.X=±0.4 X.XX=±0.25
3. TERM NOS. FOR REF. ONLY
4. RATING: 5A @120VAC or 28VDC (Resistive Load) 2A @250VAC
5. CONTACT MATERIAL: Copper Alloy w/Silver Plating
6. INSULATION RESISTANCE: 1000 Mega Ohms min.
7. DIELECTRIC STRENGTH: 1000V RMS @SEA LEVEL.
8. OPERATING TEMPERATURE: -30°C TO 85°C

CIRCUIT: SPDT



SWITCH FUNCTION		
POS. 1	POS. 2	POS. 3
DN	DN	DN
DN	OFF	DN
2-1	OPEN	2-3

E-SWITCH®

REV.	ECN No.	RELEASED	DATE	CHKD
A	12382	DESCRIPTION	8/19/02	CJB

TITLE	SCALE	DATE	DR	DWG	REV
500 SSP-3 S3 M7 Q E A	2:1	8/19/02	CJB	TS13010	A

THE INFORMATION CONTAINED IN THIS DOCUMENT IS PROPRIETARY TO E-SWITCH AND IS NOT TO BE COPIED OR TRANSMITTED