

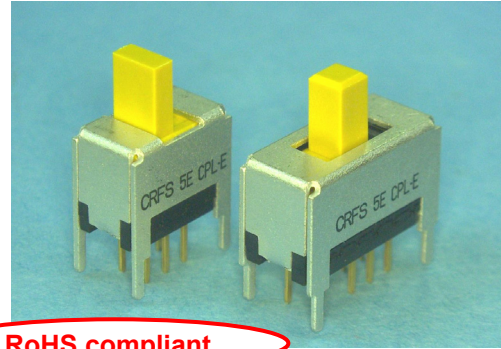
ULTRA HIGH FREQUENCY SLIDE SWITCHES

CRFS-2202 / 2302

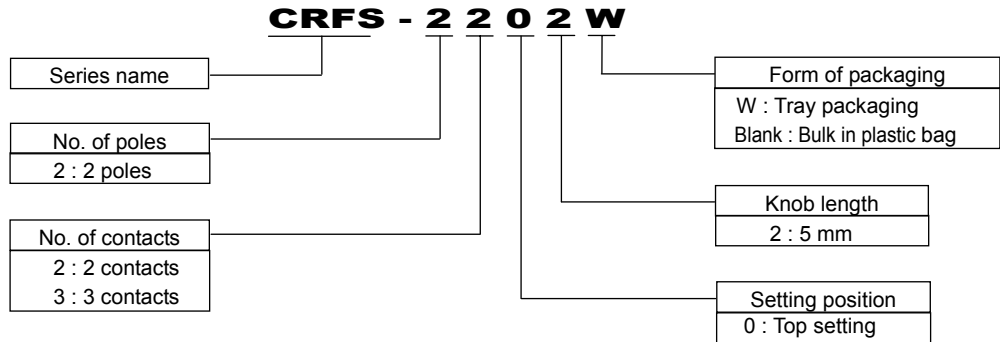
■ FEATURES

- Covering the DC ~ 1GHz frequency spectrum
- Gold-plated contact provides excellent reliability
- Lead-free soldering

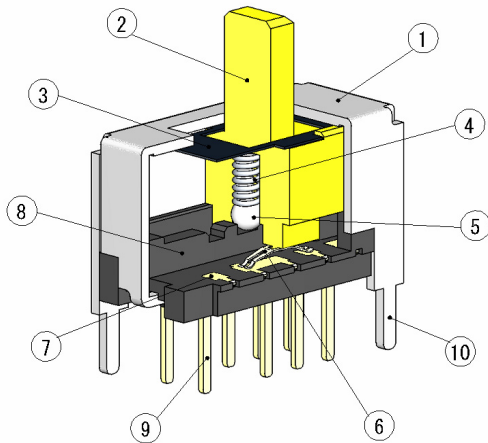
■ PART NUMBER DESIGNATION



RoHS compliant



■ INTERNAL STRUCTURE



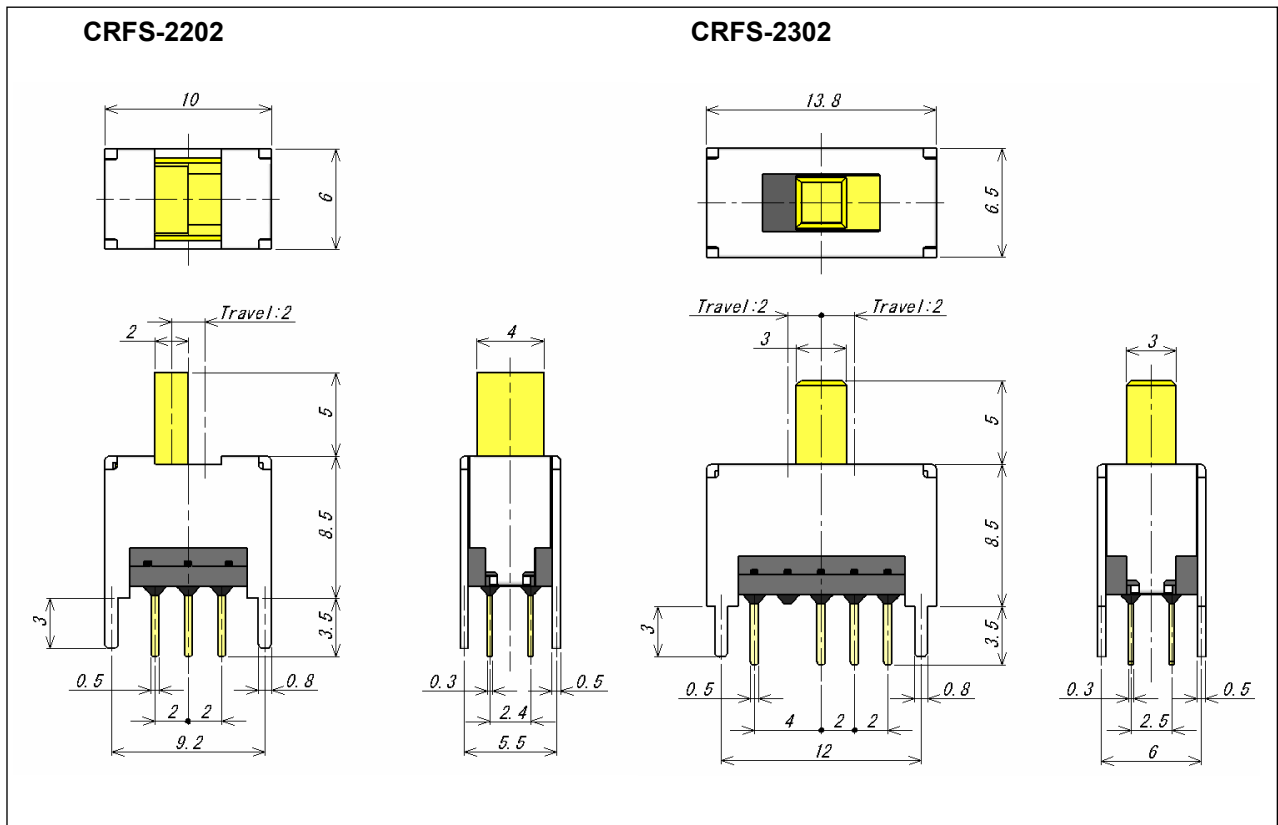
No.	Part name	Material	Flammability
1	Cover	SPCC, Tin-plated	-
2	Slider	PA (Polyamide)	UL-94V-0
3	Slider plate	Polyester	-
4	Click spring	SWP	-
5	Ball	Stainless steel(SUS)	-
6	Slider contact	Copper alloy, Gold-plated	-
7	Fixed contact	Copper alloy, Gold-plated	-
8	Housing	PPS(Polyphenylenesulphide)	UL-94V-0
9	Terminal pin	Copper alloy, Gold-plated	-
10	Ground terminal	SPCC, Tin-plated	-

■ SPECIFICATIONS

Item		Specifications	
Standard specification	Operating temp. range	-40 ~ ± 85 degrees C	
	Storage temp.range		
	Sealing	Non washable	
Electrical Characteristics	Contact rating	Non-switching	DC50V 100 mA
		Switching	DC12V 100 mA
	Contact resistance	70 m ohm maximum	
	Insulation resistance	100 M ohm minimum (DC100 V)	
	Dielectric strength	AC500 V 60 s	
Mechanical Characteristics	Frequency range	DC ~ 1.0 GHz	
	Isolation	26 dB minimum	
	Insertion loss	0.23 dB maximum	
	VSWR	1.3 maximum	
Mechanical Characteristics	No. of positions	2, 3	
	Stroke	2 mm	
	Operating force	2.5 ± 1.5 N {0.255 ± 0.153 kgf}	
	Durability	10,000 cycles	
	Soldering heat	Flow : 260 ± 3 degrees C 5 ~ 6 twice	
Form of packaging	Tray packaging	50 pcs / tray	
	Bulk in plastic bag	50 pcs / pack	

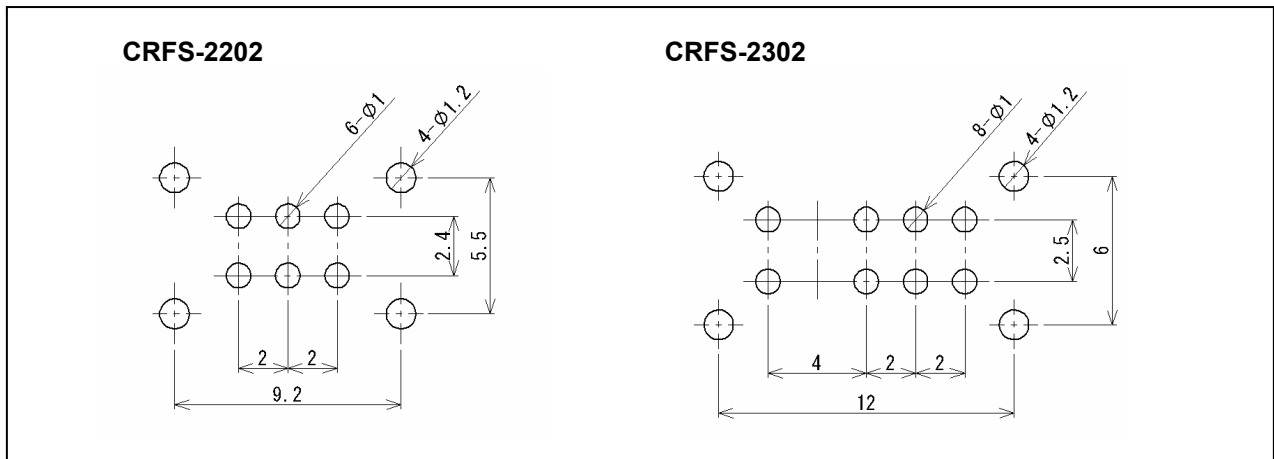
■ **OUTLINE DIMENSIONS**

Unit : mm



■ **RECOMMENDED P.C.B. PAD OUTLINE DIMENSIONS**

Unit : mm



Specifications are subject to change without notice.