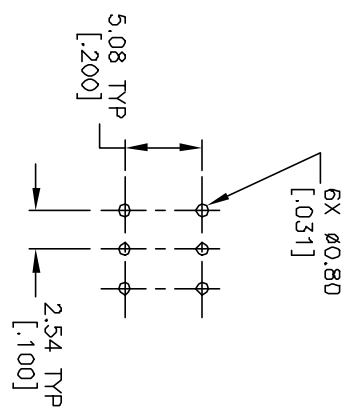
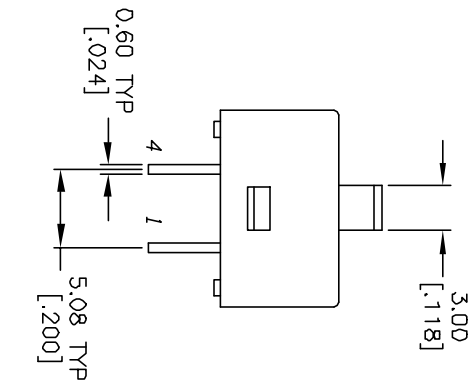
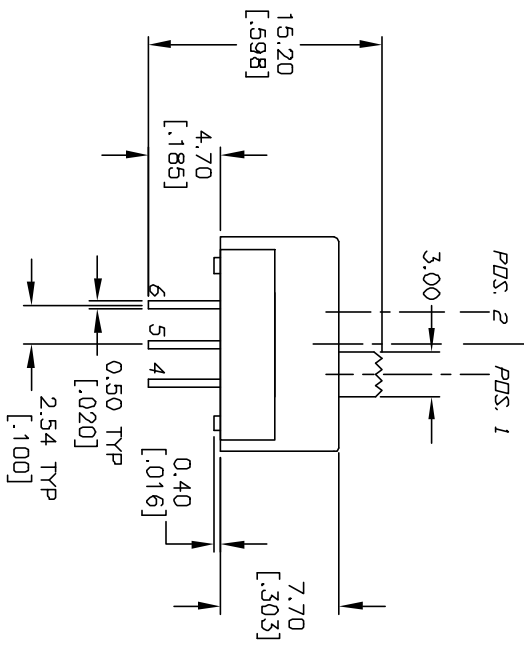
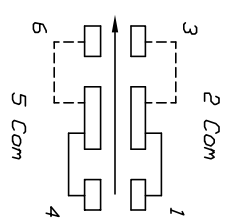


4.00 TRAVEL  
[.157] TO MAKE



RECOMMENDED P.C.B. LAYOUT



CIRCUIT: DPDT

CONTACT CONFIGURATION

SWITCH FUNCTION	POS. 1	POS. 2
DN	DN	DN
2-1,5-4	2-3,5-6	

- NOTES:
1. ALL DIMENSIONS IN MM. [INCH]
  2. GENERAL TOLERANCE: X.X=±0.4  
X.XX=±0.25
  3. TERM. NOS. FOR REFERENCE ONLY.
  4. CONTACT RATING: 0.4 VOLT-AMPS(VA) MAX@20V MAX (AC OR DC)
  - ▲5. FIXED TERM & MOVING CONTACT:  
COPPER ALLOY W/GOLD PLATE OVER NICKEL PLATE
  6. CONTACT RESISTANCE: 50MΩ MAX
  7. MECHANICAL LIFE: 20,000 OPERATIONS
  8. INSULATION RESISTANCE: 1000 MΩ UNDER 500V
  9. OPERATING TEMP: -40°C TO 85°C
  10. BREAKING CAPACITY: 400 MA 20V

**E-SWITCH®**

REV.	ECN No.	DESCRIPTION	DATE	CHKD
A	11718	RELEASED FOR PRODUCTION	10/09/01	CJC

TITLE	SCALE	DATE	DR	DWG	REV
600 DP1 S2 M2 R E	2:1	10/09/01	CJC	T622005	A

THE INFORMATION CONTAINED IN THIS DOCUMENT IS PROPRIETARY TO E-SWITCH AND IS NOT TO BE COPIED OR TRANSFERRED