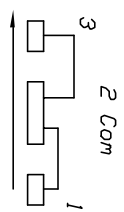
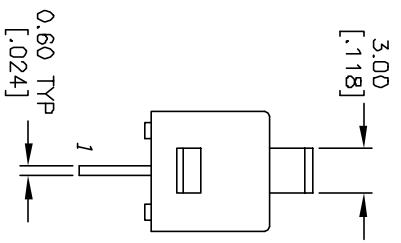
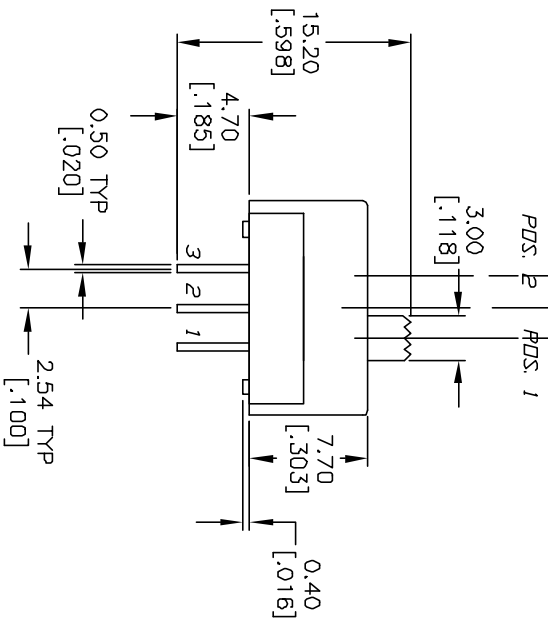


4.00 TRAVEL
[.157] TO MAKE



CIRCUIT: SPDT

CONTACT CONFIGURATION

SWITCH FUNCTION	
POS. 1	POS. 2
DN	DN
2-1	2-3

- NOTES:
1. ALL DIMENSIONS IN MM [INCH]
 2. GENERAL TOLERANCE: X.XX=±0.4
X.XX=±0.25
 3. TERM. NOS. FOR REFERENCE ONLY.
 4. CONTACT RATING: 0.4 VOLT-AMPS(VA) MAX@20V MAX (AC OR DC)
 5. FIXED TERM & MOVING CONTACT:
COPPER ALLOY W/GOLD PLATE OVER NICKEL PLATE

6. CONTACT RESISTANCE: 50MΩ MAX
7. MECHANICAL LIFE: 20,000 OPERATIONS
8. INSULATION RESISTANCE: 1000 MΩ UNDER 500V
9. OPERATING TEMP: -40°C TO 85°C
10. BREAKING CAPACITY: 400 MA 20V

RECOMMENDED P.C.B. LAYOUT

REV.	ECN No.	DESCRIPTION	DATE	CHKD
B	11718	REVISED, AND REDRAWN	10/08/01	CJC

TITLE	SCALE	DATE	DR	DWG	REV
600 SP1 S2 M1 R E	2:1	10/08/01	CJC	T611002	B

E-SWITCH®

THE INFORMATION CONTAINED IN THIS DOCUMENT IS PROPRIETARY TO E-SWITCH AND IS NOT TO BE COPIED OR TRANSFERRED