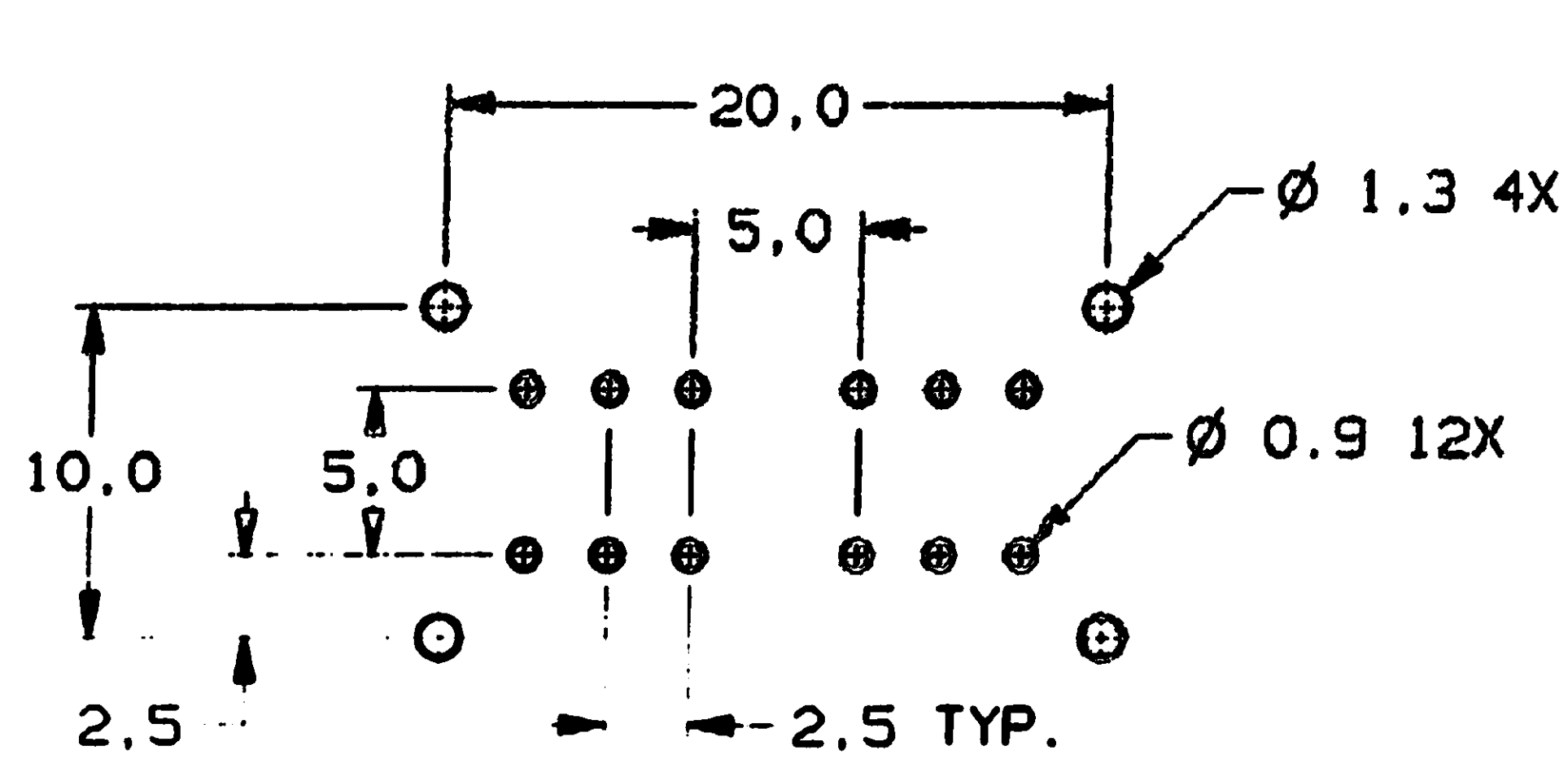
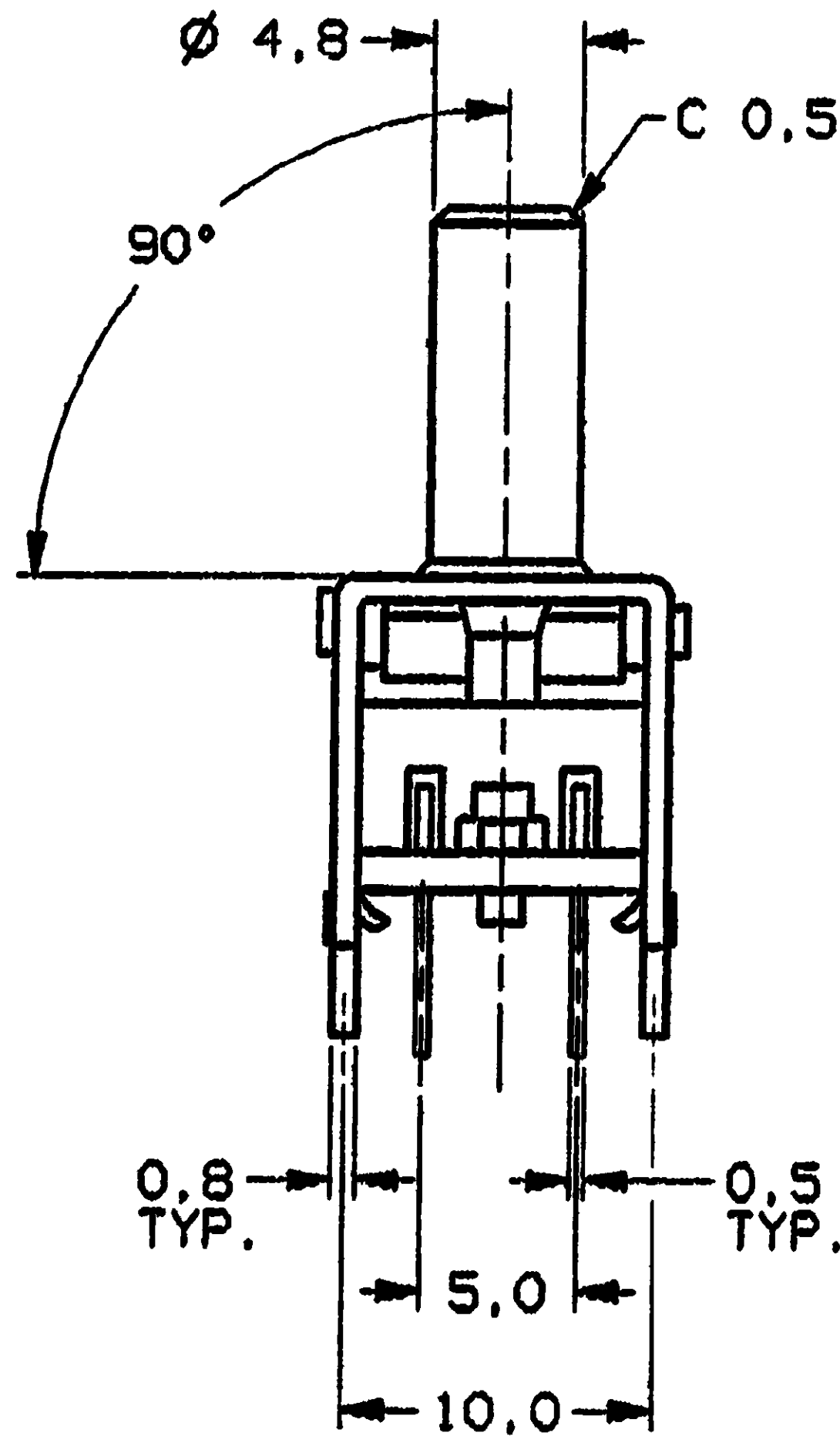
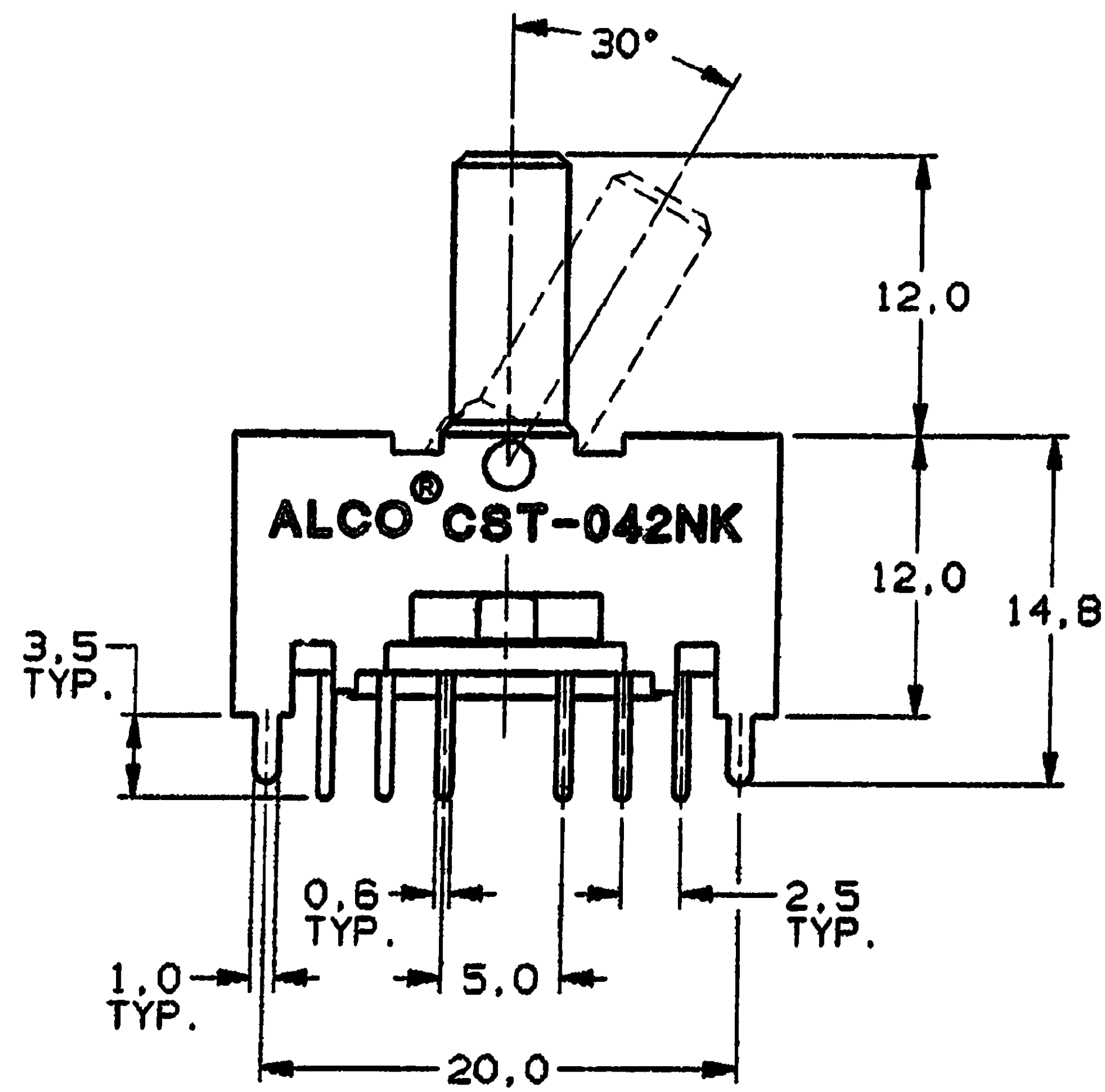
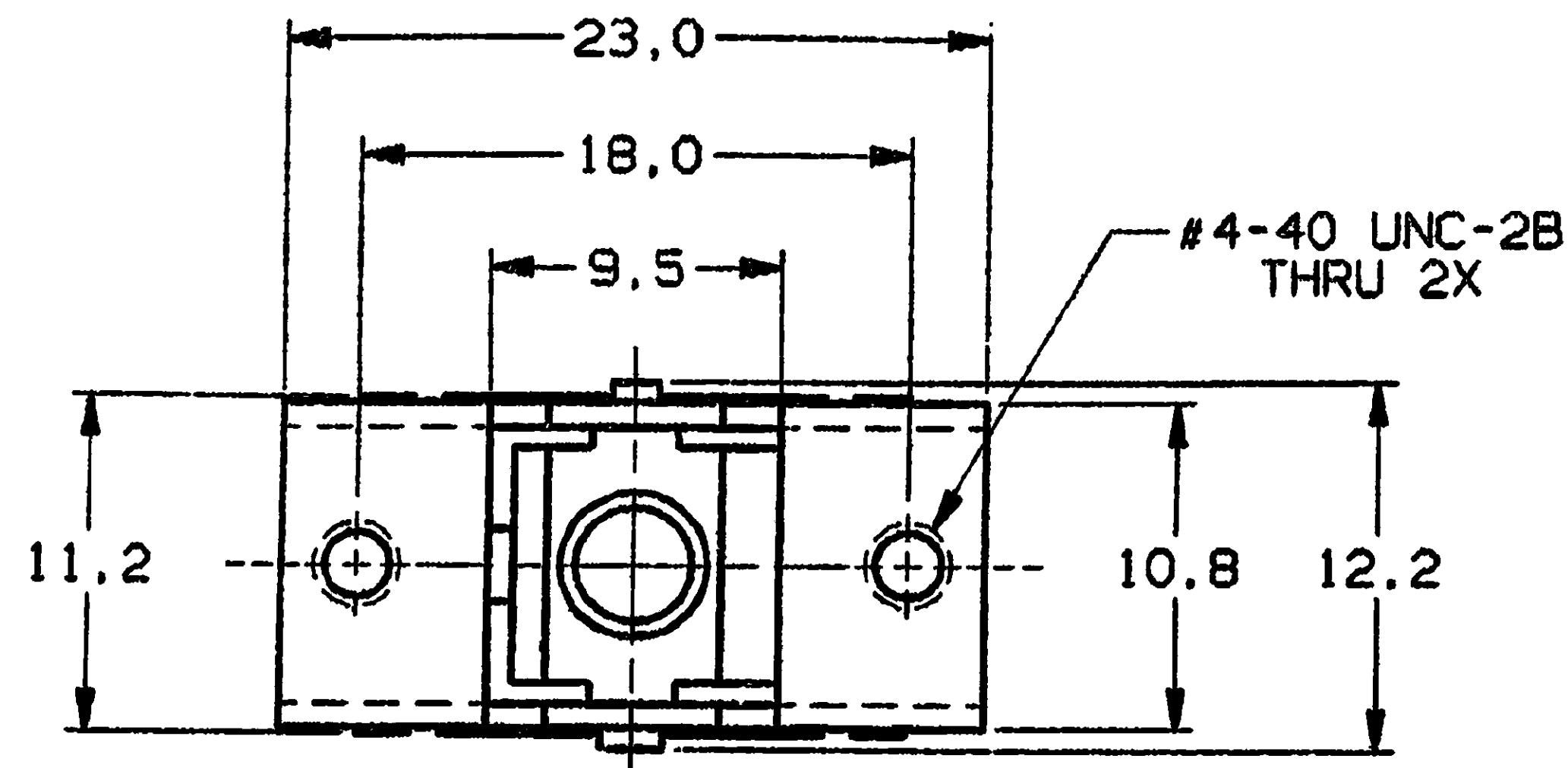


CONVERSION CHART	
MM	INCH
0.05	.002
0.12	.005
0.25	.010
0.5	.020
0.6	.024
0.8	.031
0.9	.035
1.0	.039
1.3	.051
2.5	.098
2.6	.104
3.2	.125
3.5	.138
4.8	.189
5.0	.197
9.0	.354
9.5	.374
10.0	.394
10.8	.425
11.2	.440
12.0	.472
12.2	.480
14.8	.582
18.0	.709
20.0	.787
23.0	.906



**PC HOLE LAYOUT (TOP VIEW)**  
RECOMMENDED TOLERANCES  $\pm 0.05$

**SUGGESTED PANEL CUTOUT**  
RECOMMENDED TOLERANCES  $\pm 0.12$

**SPECIFICATIONS:**

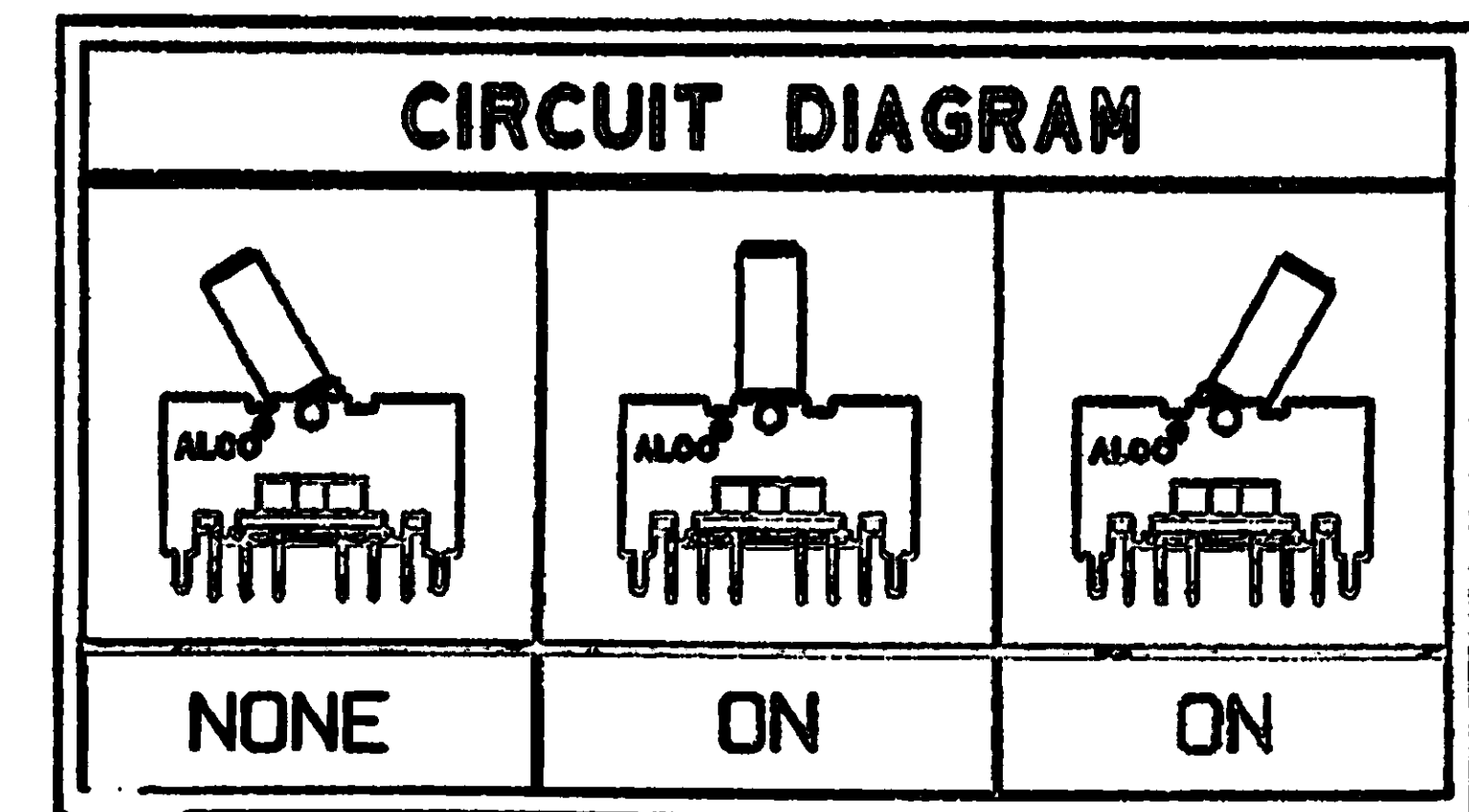
**MATERIALS:**  
 FRAME: STEEL, TIN-PLATED.  
 SLIDER: POLYCARBONATE.  
 LEVER: POLYESTER.  
 TERMINAL BOARD: PHENOLIC.  
 FIXED CONTACT/TERMINAL: COPPER ALLOY, SILVER PLATE OVER NICKEL UNDERPLATE.  
 MOVING CONTACT: COPPER ALLOY, SILVER CLAD OVER NICKEL FLASH.  
 PRESSURE FINGER: POLYACETAL.  
 PIN: STEEL.  
 SPRING: STAINLESS STEEL.  
 FIXING POSITION: POLYESTER.  
 CAP: ALUMINUM.  
 TERMINAL SEAL: EPOXY.

**ELECTRICAL:**  
 CONTACT RATING: 0.3A @ 125 VAC (50-60 HZ),  
 0.2A @ 12 VDC.  
 INITIAL CONTACT RESISTANCE: 30 MILLIOHMS MAX.  
 INSULATION RESISTANCE: 100 MEGOHMS MIN. @ 500 VDC.  
 DIELECTRIC STRENGTH: 500 VAC FOR 1 MINUTE.  
 LIFE EXPECTANCY: 10,000 CYCLES.  
 CONTACT TIMING: NON-SHORTING.

**MECHANICAL:**  
 ACTUATION FORCE: 450  $\pm$  250 GRAMS.  
 ACTUATION TRAVEL: 30°

**ENVIRONMENTAL:**  
 OPERATING TEMPERATURE: -15°C TO +55°C, (+5°F TO +131°F).  
 STORAGE TEMPERATURE: -20°C TO +60°C, (-4°F TO +140°F).

**NOTES:** UNLESS OTHERWISE SPECIFIED  
 1. INTERPRET DRAWING PER ANSI Y14.5M 1982.



OUTLINE DRAWING				SPECIFICATIONS ARE SUBJECT TO CHANGES WITHOUT NOTICE		THIS IS A C.A.D. GENERATED DRAWING. DO NOT MAKE MANUAL REVISIONS TO MASTER.	
	UNLESS OTHERWISE SPECIFIED DIMENSIONS ARE IN MILLIMETERS. DO NOT SCALE PRINT		ORIGINAL DATE OF DRAWING:	1-20-97		 432 JOHN DIETSCH BLVD. ATTELBORO FALLS, MASS. 02763	
	TOLERANCES (EXCEPT AS NOTED)		FILE NAME:	80961OUT	DIRECTORY:		
ANGULAR = $\pm 1^\circ$ DECIMAL = $\pm 0.25$		MATERIAL:		SEE SPECIFICATIONS		APPROVED:	DATE:
AUGAT CONFIDENTIAL This document contains information which is the exclusive property of Augat Inc. Distribution, reproduction or use by others is not permitted without the expressed written consent of Augat Inc.		FINISH:		SEE SPECIFICATIONS		DATE:	1-21-97
REVISIONS INITIAL RELEASE ESRV A7995 C. THEODORE 1-20-97 APP'D: <i>[Signature]</i> 1-21-97		TOLERANCES (EXCEPT AS NOTED) ANGULAR = $\pm 1^\circ$ DECIMAL = $\pm 0.25$		CODE IDENT. NO.	91506	DWG. SIZE	C
TITLE: OUTLINE DRAWING TOGGLE SWITCH, CST042NK 4PDT. PC TERMINALS		DWG. NO. 80961		SCALE:		SHEET 1 OF 1	