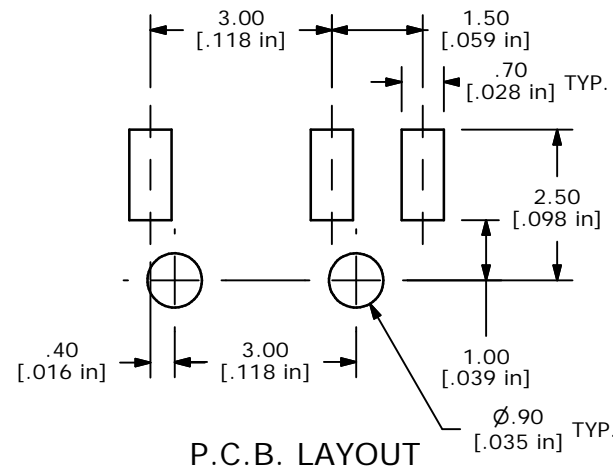
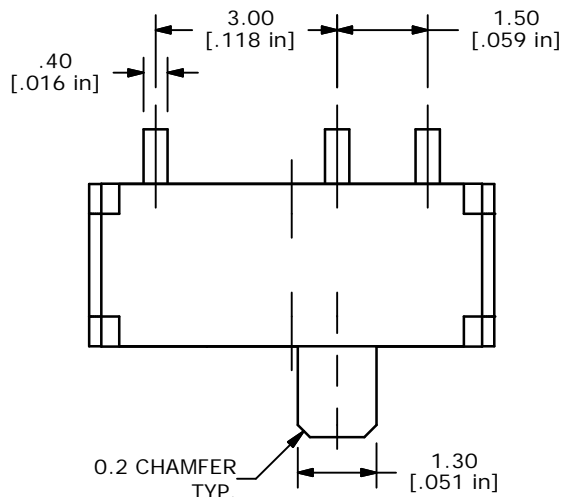
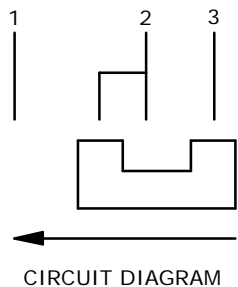


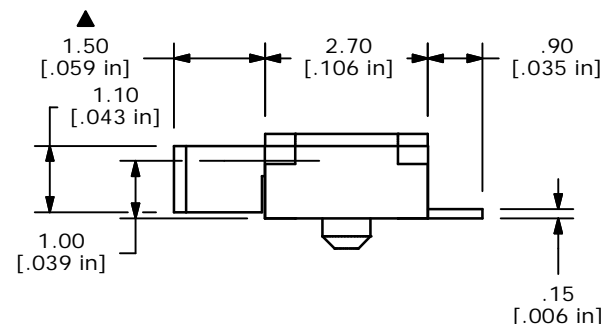
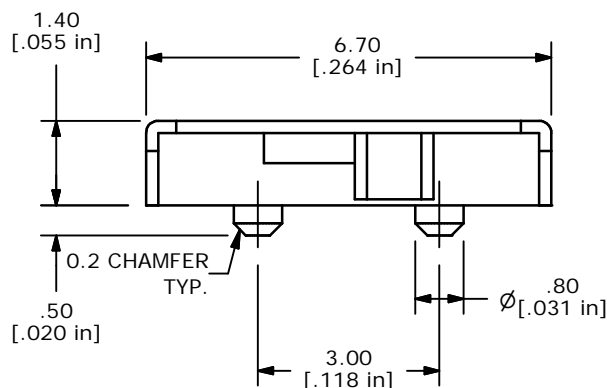
ISOMETRIC



P.C.B. LAYOUT



CIRCUIT DIAGRAM



NOTES:

1. ALL DIMENSIONS IN MM [INCH]
2. GENERAL TOLERANCE: X.X=±0.4
X.XX=±0.25
3. TERM. NOS. FOR REF. ONLY
4. RATING: 0.3A, 4VDC
- ▲ 5. PLATING: 40 MICRO INCHES NICKEL
W/40 MICRO INCHES OF SILVER B
- ▲ 6. OPERATING FORCE: 150±100GF
7. OPERATING LIFE: 10,000 CYCLES
8. TRAVEL: 1.50MM
9. ▲ DENOTES CRITICAL PARAMETER.

B	14330	ADD PLATING NOTE, UPDATE TITLE	9/21/04	AR
A	13514	RELEASED FOR PRODUCTION	10/8/03	AR
REV	PCR NO	DESCRIPTION	DATE	BY

THE INFORMATION CONTAINED IN THIS DOCUMENT IS PROPRIETARY TO E-SWITCH AND IS NOT TO BE COPIED OR TRANSFERRED

E-SWITCH®

TITLE EG1260ANQ

SCALE	DATE	DR	DWG	REV
4:1	10/7/03	AR	D041210	B