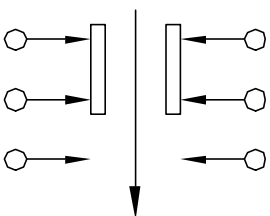
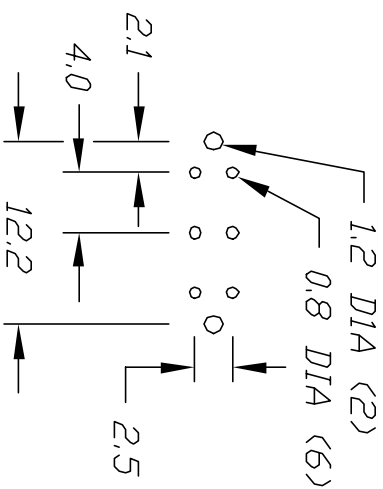
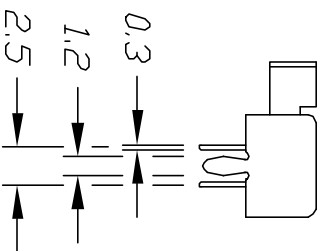
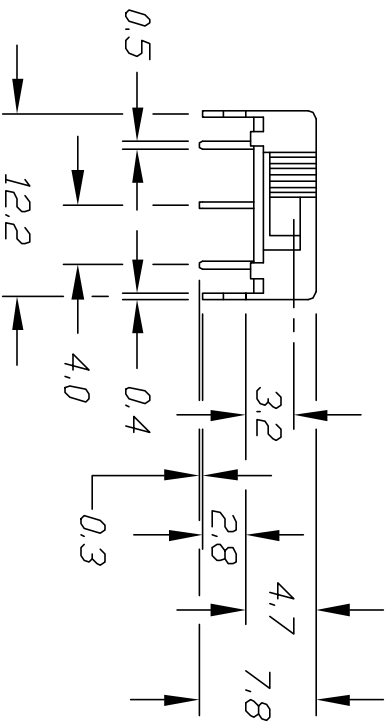


KNOB DETAIL  
SCALE 6:1



CONTACT CONFIGURATION



P.C.B. MOUNTING HOLES

NOTES:

1. ALL DIMENSIONS IN MM
2. TERM. NDS, FOR REF ONLY

**E-SWITCH**

EG 2215

REV.	DESCRIPTION	DATE	CHKD

THE INFORMATION CONTAINED IN THIS DOCUMENT IS PROPRIETARY TO E-SWITCH AND IS NOT TO BE COPIED OR TRANSFERRED

TOLERANCES	TITLE	SCALE	DATE	DR	DWG
0	±0.3	2:1	5/25/94	JL	P040160
0.0	±0.3				
0.00	±0.3				