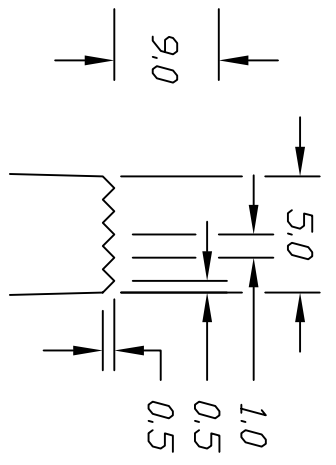
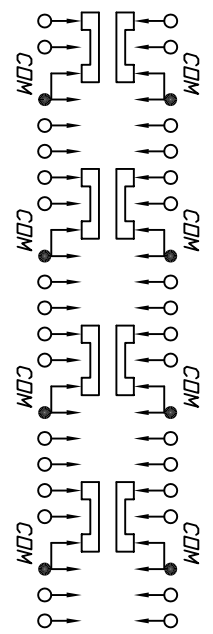
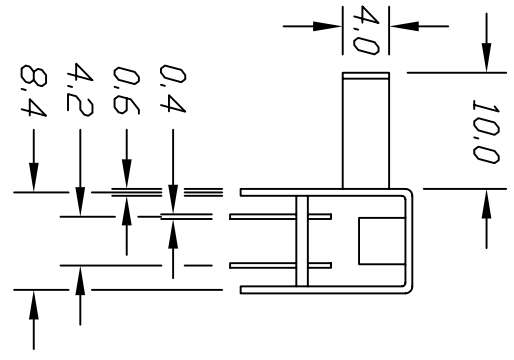
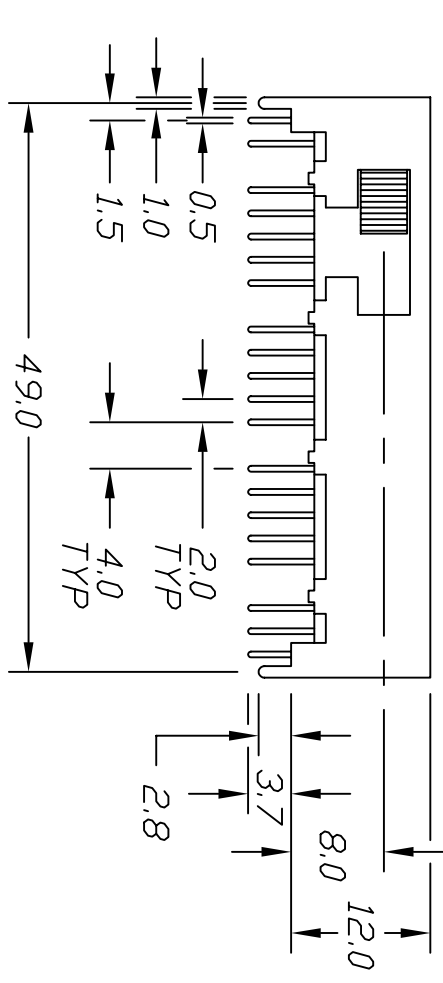


KNOB DETAIL
SCALE 3:1



P.C.B. MOUNTING HOLES



NOTES:

1. ALL DIMENSIONS IN MM
2. TERM. NDS. FOR REF ONLY
3. 2002/95/EC (ROHS) COMPLIANT

B	17123	MADE ACTIVE, ROHS	3/20/07	TN
REV.	PCR	DESCRIPTION	DATE	CHKD

TOLERANCES	
0	±0.3
0.0	±0.3
0.00	±0.3

TITLE		SCALE	DATE	DR	DWG
EG8402		1.5:1	3/20/07	TN	P184020



THE INFORMATION CONTAINED IN THIS DOCUMENT IS PROPRIETARY TO E-SWITCH AND IS NOT TO BE COPIED OR TRANSFERRED