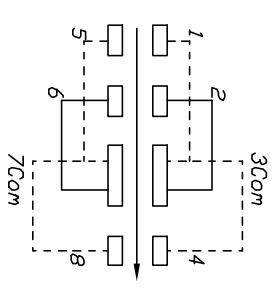
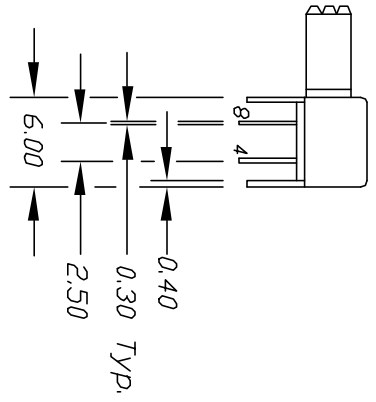


RECOMMEND P.C.B. LAYOUT



CIRCUIT: DP3T
CONTACT CONFIGURATION

SWITCH FUNCTION		
POS. 1	POS. 2	POS. 3
1-3	2-3	3-4
5-7	6-7	7-8

- NOTES:
1. ALL DIMENSIONS IN MM
 2. TERM. NOS. FOR REF ONLY
 3. RATING: DC 12V, 01A

REVISED & REDRAWN		DATE	CHKD	TITLE	
C				EG 2308A	
DESCRIPTION				SCALE	DATE
THE INFORMATION CONTAINED IN THIS DOCUMENT IS PROPRIETARY TO E-SWITCH AND IS NOT TO BE COPIED OR TRANSMITTED				2:1	2/8/95
TOLERANCES		DR	DWG	REV	
0.0	±0.3	MM	P040211	C	

