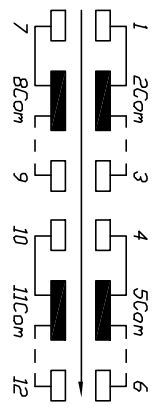
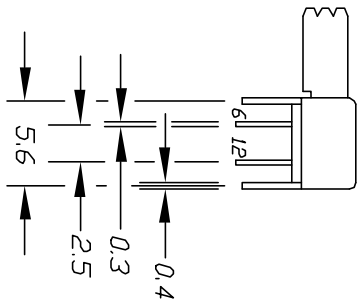
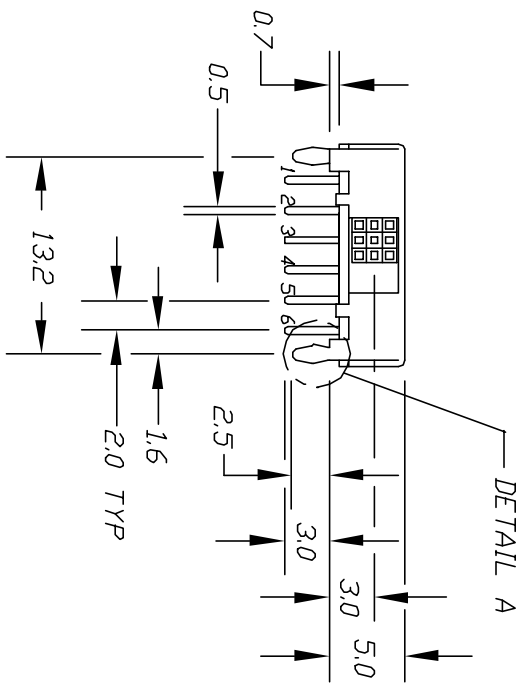


RECOMMEND P.C.B. HOLES



CIRCUIT: 4P2T

CONTACT CONFIGURATION

SWITCH FUNCTION	
PDS, 1	PDS, 2
1-2,4-5	2-3,5-6
7-8,10-11	8-9,11-12

NOTES:

- 1. ALL DIMENSIONS IN MM
- 2. TERM. NDS. FOR REF ONLY

E-SWITCH®

EG 42084 NON SHORTING

REV.	REVISION & REDRAWN	DATE	CHKD	TITLE	SCALE	DATE	DR	DWG	REV
B	REVISE & REDRAWN			EG 42084 NON SHORTING	2:1	5/11/94	MM	P040281	B
<p>THE INFORMATION CONTAINED IN THIS DOCUMENT IS PROPRIETARY TO E-SWITCH AND IS NOT TO BE COPIED OR TRANSMITTED</p>									

TOLERANCES	
0.0	±0.4
0.00	±0.25