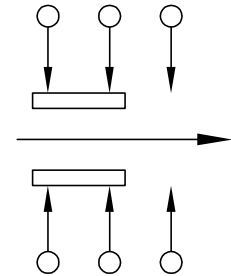
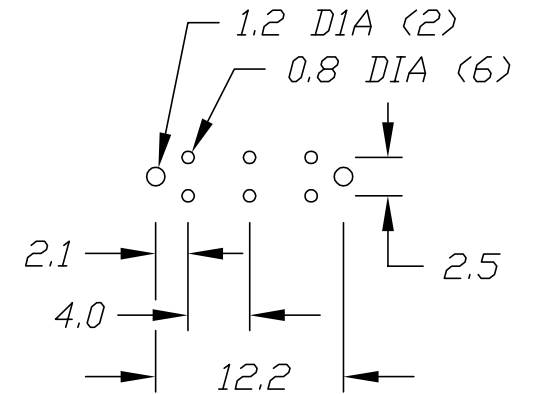
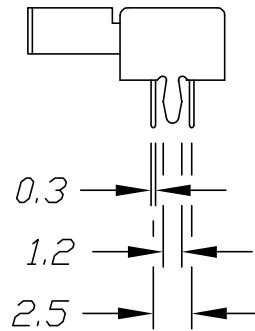
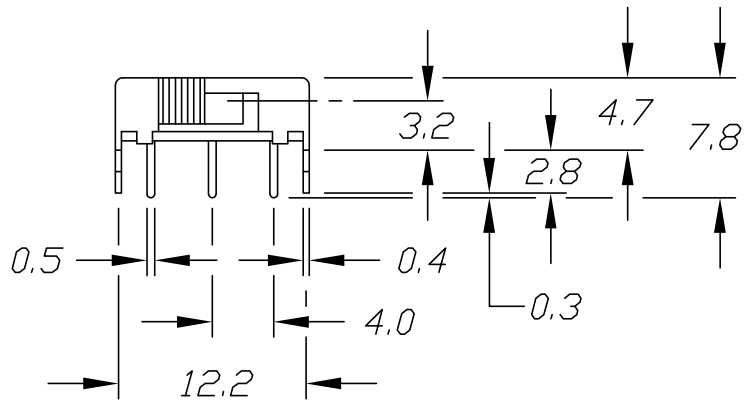


KNOB DETAIL  
SCALE 6:1



CONTACT CONFIGURATION



P.C.B. MOUNTING HOLES

NOTES:

1. ALL DIMENSIONS IN MM
2. TERM. NOS. FOR REF ONLY

TOLERANCES	±0.3	±0.3	±0.3
	0.0	0.0	0.00

**E-SWITCH**

TITLE	EG 2215 A						
SCALE	2:1	DATE	5/25/94	DR	JL	DWG	P040161

THE INFORMATION CONTAINED IN THIS DOCUMENT IS PROPRIETARY TO E-SWITCH AND IS NOT TO BE COPIED OR TRANSFERRED