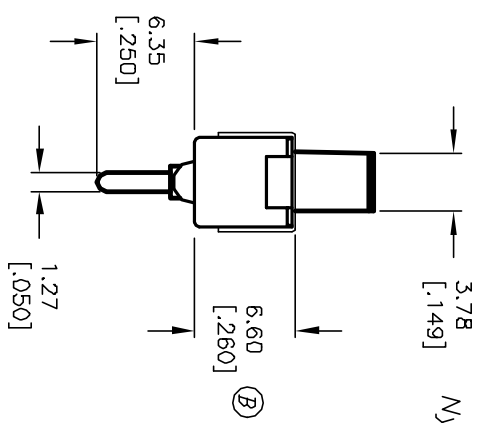
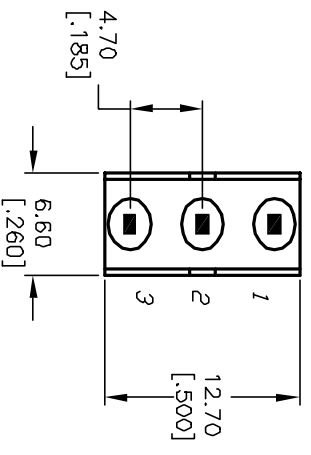
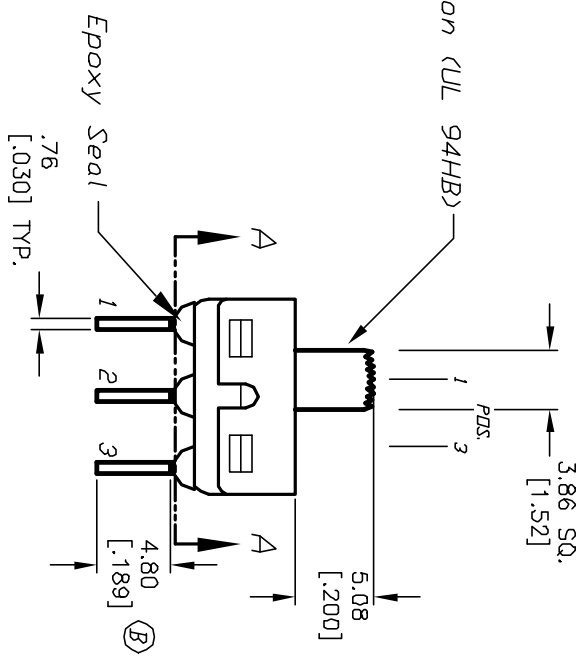


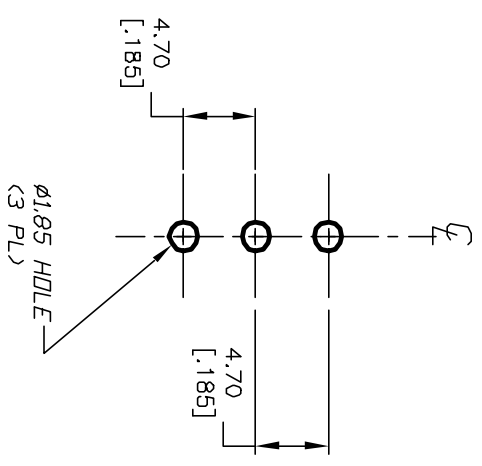
2.16mm TRAVEL TO MAKE



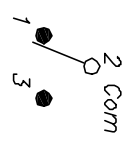
Nylon (UL 94HB)



- NOTES:
1. ALL DIMENSIONS IN MM [INCH]
 2. GENERAL TOLERANCE: X.X=±0.4 X.XX=±0.25
 3. TERM NOS. FOR REF. ONLY
 4. RATING: 0.4VA @20V max. (AC or DC)
 5. CONTACT MATERIAL: Copper Alloy w/Gold plate over Nickel plate
 6. ELECTRICAL LIFE: 30,000 ACTUATIONS @Full Load
 7. INSULATION RESISTANCE: 1000 Mega Ohms min.
 8. DIELECTRIC STRENGTH: 1000V RMS @SEA LEVEL.
 9. OPERATING TEMPERATURE: -30°C TO 85°C



RECOMMENDED P.C.B. LAYOUT



CIRCUIT: SPDT

SWITCH FUNCTION		
PDS. 1	PDS. 2	PDS. 3
DN	DN	DN
2-1	OPEN	2-3

E-SWITCH®

REV.	ECN No.	DESCRIPTION	DATE	CHKD
B	11645	REVISED	9/6/01	CJB

TITLE	SCALE	DATE	DR	DWG	REV
500 SSP-1 S1 M2 R E A	2:1	9/6/01	CJB	TS11004	B

THE INFORMATION CONTAINED IN THIS DOCUMENT IS PROPRIETARY TO E-SWITCH AND IS NOT TO BE COPIED OR TRANSFERRED