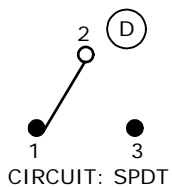


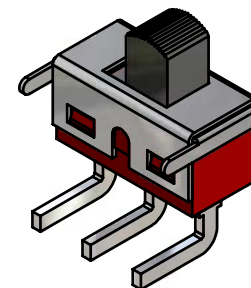
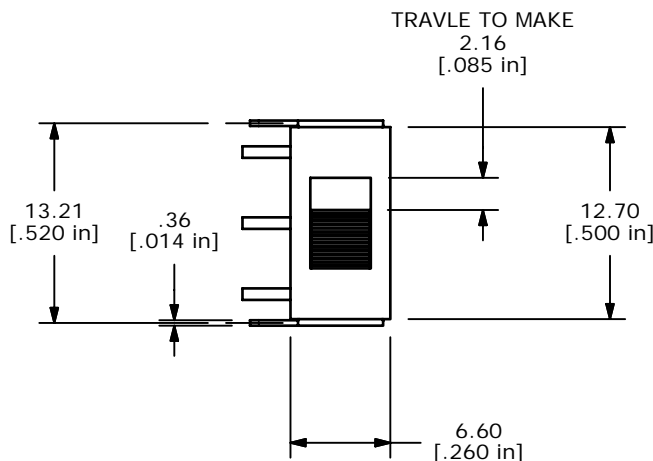
RECOMENDED
P.C.B. LAYOUT

SWITCH FUNCTION		
POS. 1	POS. 2	POS. 3
ON	NONE	ON
2-1	N/A	2-3

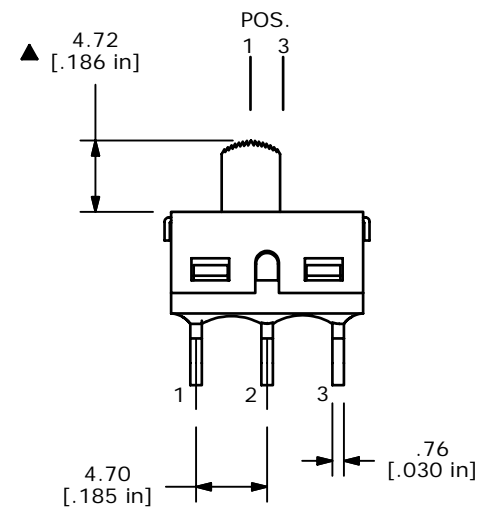
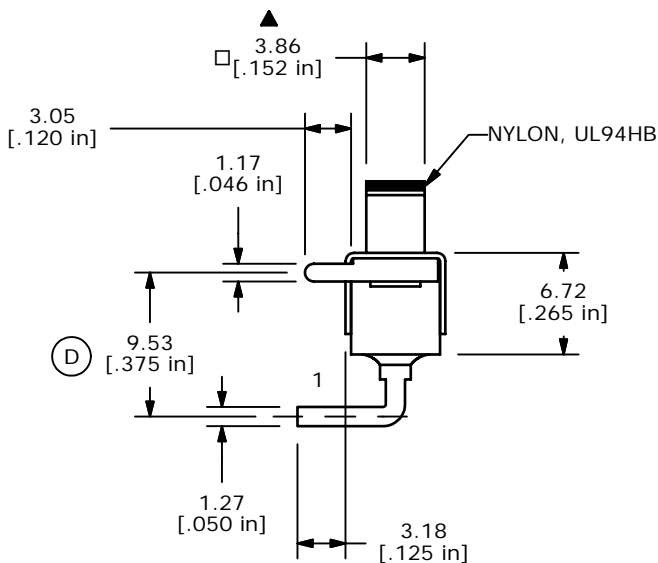


NOTE:

1. ALL DIMENSIONS IN MM [INCH]
2. GENERAL TOLERANCE: X.X=±0.4
X.XX=±0.25
3. TERMINAL NUMBERS FOR REF ONLY
- ▲ 4. PLATING MATERIAL: SILVER
5. RATING: 5A @120VAC OR 28 VDC (D)
2A @250 VAC
6. ELECTRIC LIFE: 30,000 ACTUATIONS
AT FULL LOAD.
7. INSULATION RESISTANCE: 1,000 MEGA-OHM MIN.
8. DIELECTRIC STRENGTH: 1,000 V RMS @SEA LEVEL.
9. OPERATING TEMP.: -30°C to 85°C
10. ▲ DENOTES CRITICAL PARAMETER.



ISOMETRIC



D	15220	CHANGES NOTED WITH (D)	9/1/05	PH
C	14944	REVISED AND REDRAWN	5/24/05	JB
REV	PCR NO	DESCRIPTION	DATE	BY

TITLE 500SSP1S1M6QEA				
SCALE	DATE	DR	DWG	REV
2:1	8/19/1996	MM	T511006	D

THE INFORMATION CONTAINED IN THIS DOCUMENT IS PROPRIETARY TO E-SWITCH AND IS NOT TO BE COPIED OR TRANSFERRED