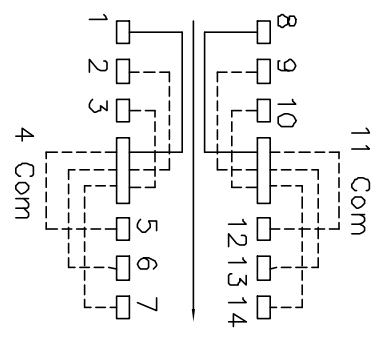


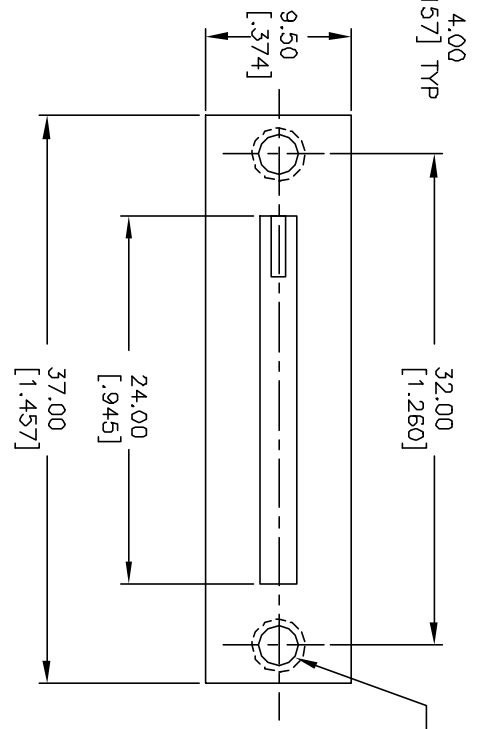
RECOMMENDED P.C.B. LAYOUT



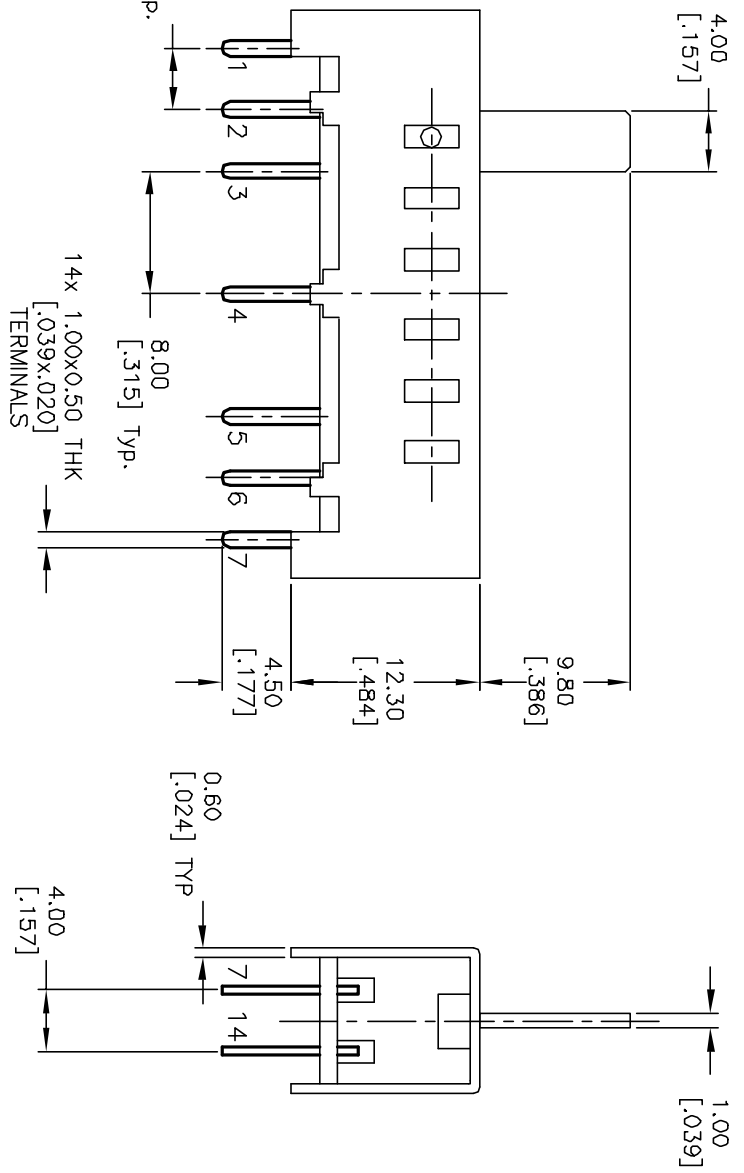
CIRCUIT: DP6T  
CONTACT CONFIGURATION

NOTES:

1. ALL DIMENSIONS IN MM [INCH]
2. GENERAL TOLERANCE: X.X=±0.4 X.XX=±0.25
3. TERM. NOS. FOR REFERENCE ONLY.
4. RATING: 0.3A @30V DC
5. CONTACT MATERIAL: COPPER ALLOY W/ SILVER PLATE
6. CONTACT RESISTANCE: >20mΩ (INITIAL)
7. DIELECTRIC STRENGTH: 500V AC FOR 1 MIN
8. OPERATING LIFE: 10,000 CYCLES MIN
9. OPERATING FORCE: 300 ±100gf
10. TRAVEL: 4mm
11. OPERATING TEMP: -20°C TO +70°C



▲ 2x M2.6xP0.45  
[.102x.018]



REV. A		RELEASED FOR PRODUCTION		DATE 10/25/01		CHKD CJC		TITLE	
ECN No. 11789		DESCRIPTION		DATE 10/25/01		CHKD CJC		EG 2601A	
THE INFORMATION CONTAINED IN THIS DOCUMENT IS PROPRIETARY TO E-SWITCH AND IS NOT TO BE COPIED OR TRANSFERRED				SCALE 2:1		DATE 10/25/01		DR CJC	
						DWG P040287		REV A	