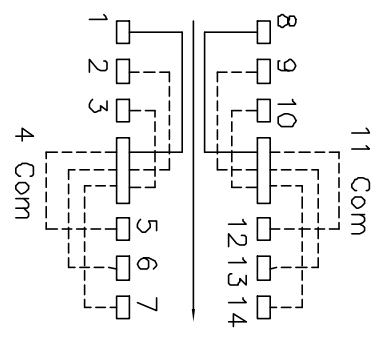


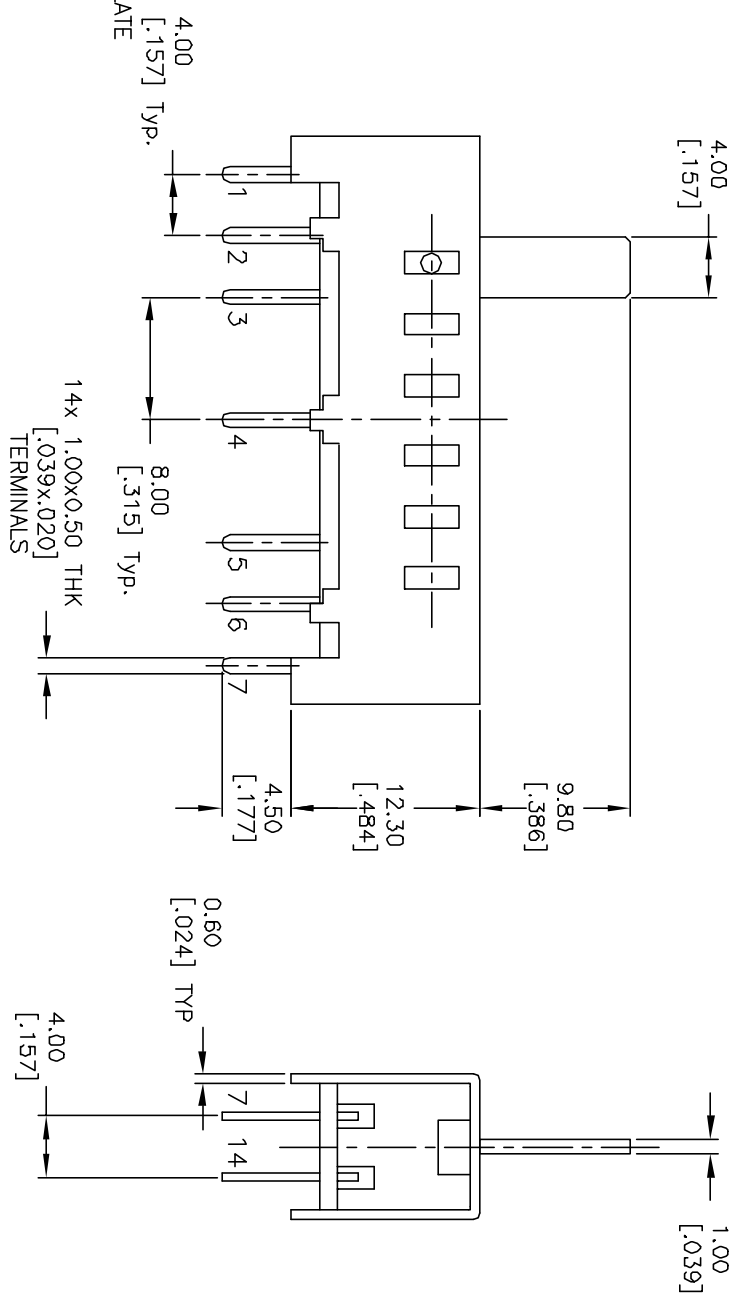
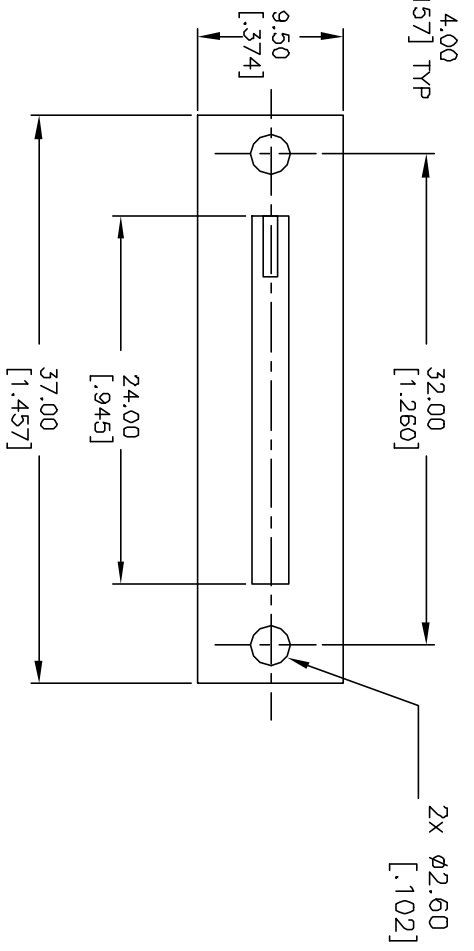
RECOMMENDED P.C.B. LAYOUT (B)



CIRCUIT: DP6T
CONTACT CONFIGURATION

NOTES: (B)

1. ALL DIMENSIONS IN MM [INCH]
2. GENERAL TOLERANCE: X.XX=±0.4 X:XX=±0.25
3. TERM. NOS. FOR REFERENCE ONLY.
4. RATING: 0.3A @30V DC
5. CONTACT MATERIAL: COPPER ALLOY W/ SILVER PLATE
6. CONTACT RESISTANCE: >20mΩ (INITIAL)
7. DIELECTRIC STRENGTH: 500V AC FOR 1 MIN
8. OPERATING LIFE: 10,000 CYCLES MIN
9. OPERATING FORCE: 300 ±100gf
10. TRAVEL: 4mm
11. OPERATING TEMP: -20°C TO +70°C



E-SWITCH®

REV.	ECN No.	DESCRIPTION	DATE	CHKD	SCALE	DATE	DR	DWG	REV
B	11789	REVISED, AND REDRAWN	10/25/01	CJC	2:1	10/25/01	CJC	P040284	B
TITLE					EG 2601				
THE INFORMATION CONTAINED IN THIS DOCUMENT IS PROPRIETARY TO E-SWITCH AND IS NOT TO BE COPIED OR TRANSFERRED									