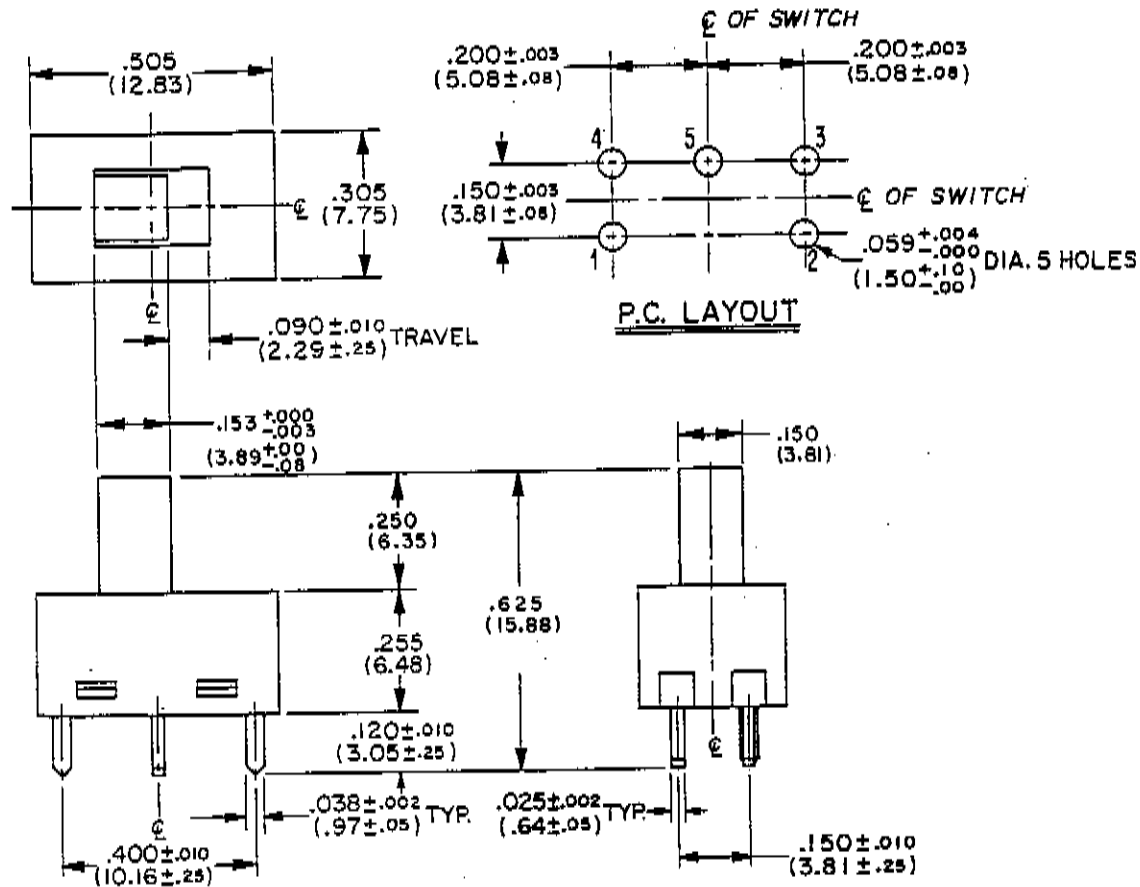


InActive

DIMENSIONS IN INCHES (MILLIMETERS)
DO NOT SCALE DRAWING...

Drawing No. G-107-0016



NOTE:

DIMENSIONS IN () ARE IN MILLIMETERS.

REVISIONS

0	RELEASED
1	DCW 7-07-94

CW INDUSTRIES
Southampton, Pa. 18966

TOLERANCES UNLESS OTHERWISE SPECIFIED
2 Place decimal ± .010 METRIC
3 Place decimal ± .005 (1 Place dec. ± .25 MM)
Angles ± 1° (2 Place dec. ± .13 MM)

Made for CW IND.
Drawn by DGW 7-07-94
Checked by G.GOLD 7-3-74
Approval

Title
SWIDGET JR.
ASSEMBLY
S.P.-D.T.

Division SWITCH
Drawing No. G-107-0016

8-702M-3