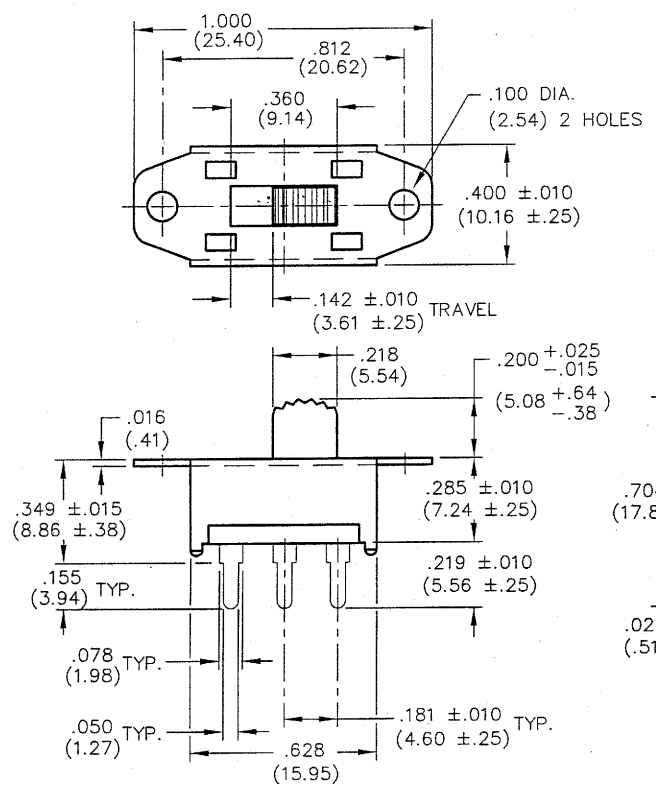


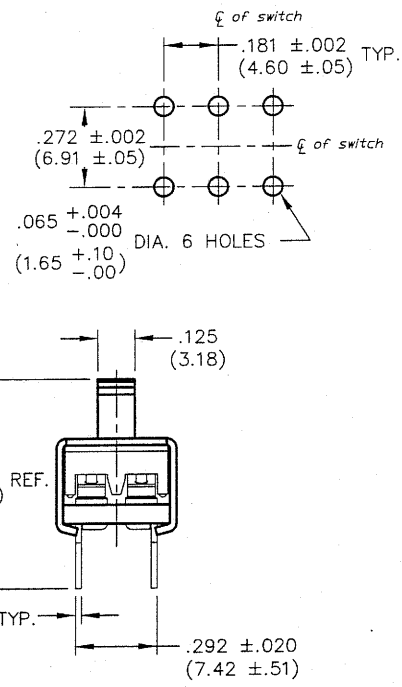
DIMENSIONS IN INCHES (MILLIMETERS)
DO NOT SCALE DRAWING

Dwg. No.
GF-126-0001

E
D
C
B
A



P.C. LAYOUT



1 2 3 4 5 6 7 8 9 10

FORM-B4
REVISIONS
 0
 RELEASED: 11-02-2005
 DGW
 NOV 28 2005

CW INDUSTRIES
 Southampton, Pa. 18966

TOLERANCES UNLESS OTHERWISE SPECIFIED

2 Place Decimal ±.010	METRIC
3 Place Decimal ±.005	1 Place Dec. ±.25mm
Angles ±1°	2 Place Dec. ±.13mm

Made for: CW IND.
 Drawn by: DGW 11-02-2005
 Checked by: *B. Gold 11-21-05*
 Approval: *B. S. ... 11-21-05*

Title: **MINI-SLIDE SWITCH ASSEMBLY DP/DT**

Division: **SWITCH**

Dwg. No. **GF-126-0001**