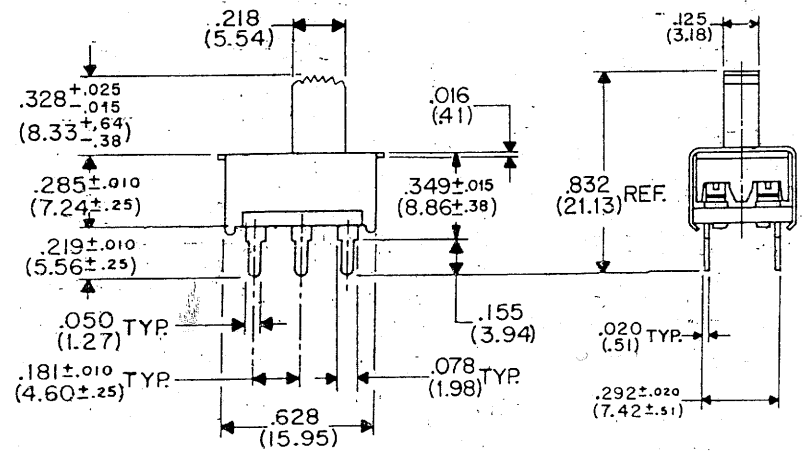
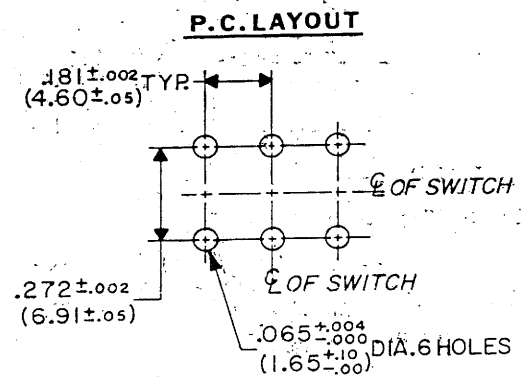
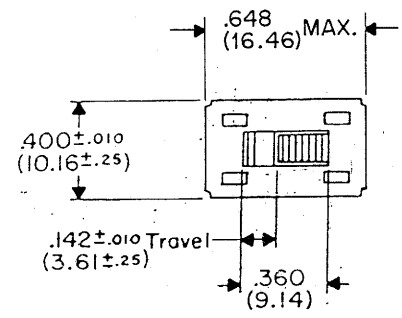


DIMENSIONS IN INCHES (METRIC-MILLIMETERS)
DO NOT SCALE DRAWING.

Drawing Number
GF-126-0008

NOTE:
Dimensions in () are in millimeters.



REVISIONS
RELEASED 12-2-87

CW INDUSTRIES Southampton, Pa. 18966	
TOLERANCES UNLESS OTHERWISE SPECIFIED	
2 Place decimal ± .010	METRIC
3 Place decimal ± .005	1 Place dec. ± .25MM
Angles ± 1°	2 Place dec. ± .13MM
Made by C.W. INDUSTRIES	Checked <i>JK</i> 12/1/87
Drawn by LIS JACKSON 12-2-87	Eng. app. <i>JK</i> 12/1/87

SWIDGET ASSEMBLY D.P.-D.T.
Part Name: SWITCH
Drawing Number: GF-126-0008