

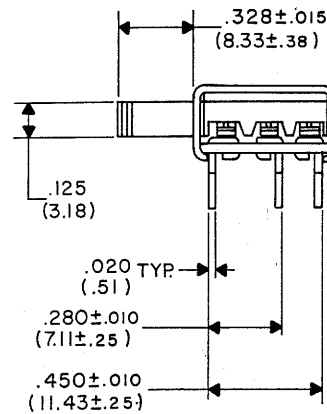
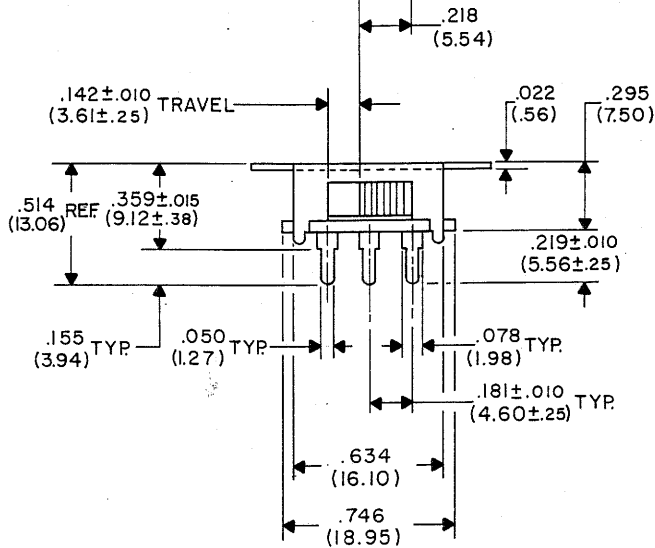
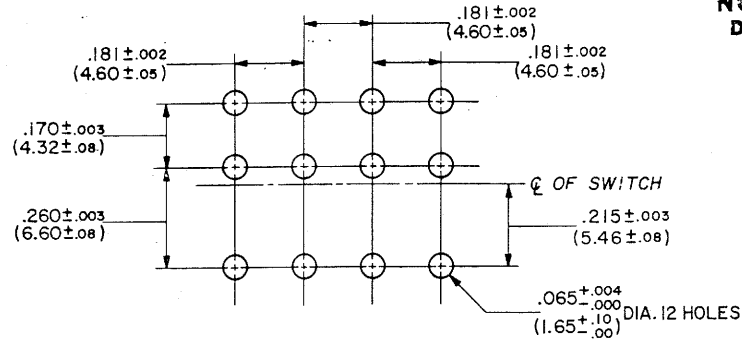
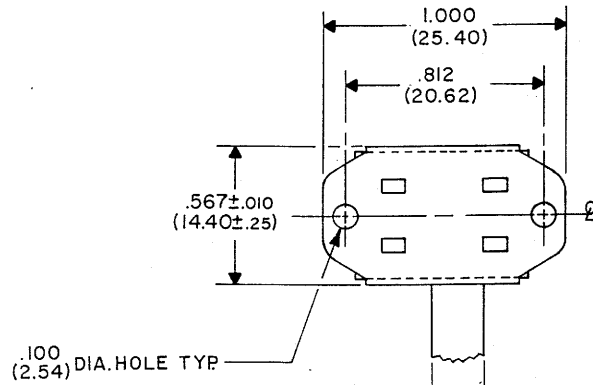
DIMENSIONS IN INCHES (METRIC-MILLIMETERS)
DO NOT SCALE DRAWING.

Drawing Number

GF-165-0003

NOTE:

Dimensions in () are in millimeters.



REVISIONS
RELEASED 0

CW INDUSTRIES
Southampton, Pa. 18966

TOLERANCES UNLESS OTHERWISE SPECIFIED
2 Place decimal ±.010 METRIC
3 Place decimal ±.005 1 Place dec. ±.25MM
Angles ±1° 2 Place dec. ±.13MM

Made for NEDLOG
Drawn by B.DeRosier 1-20-86
Checker J.R. 1-21-86
Eng. app. J.M. 1-21-86

SWIDGET ASSEMBLY
(3P-D.T.)

Division SWITCH

Drawing Number
GF-165-0003

PDF File Made