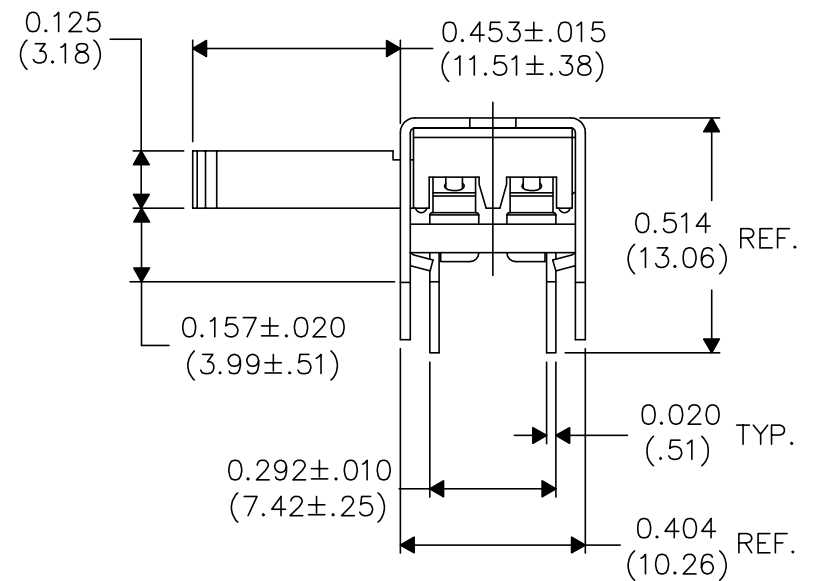
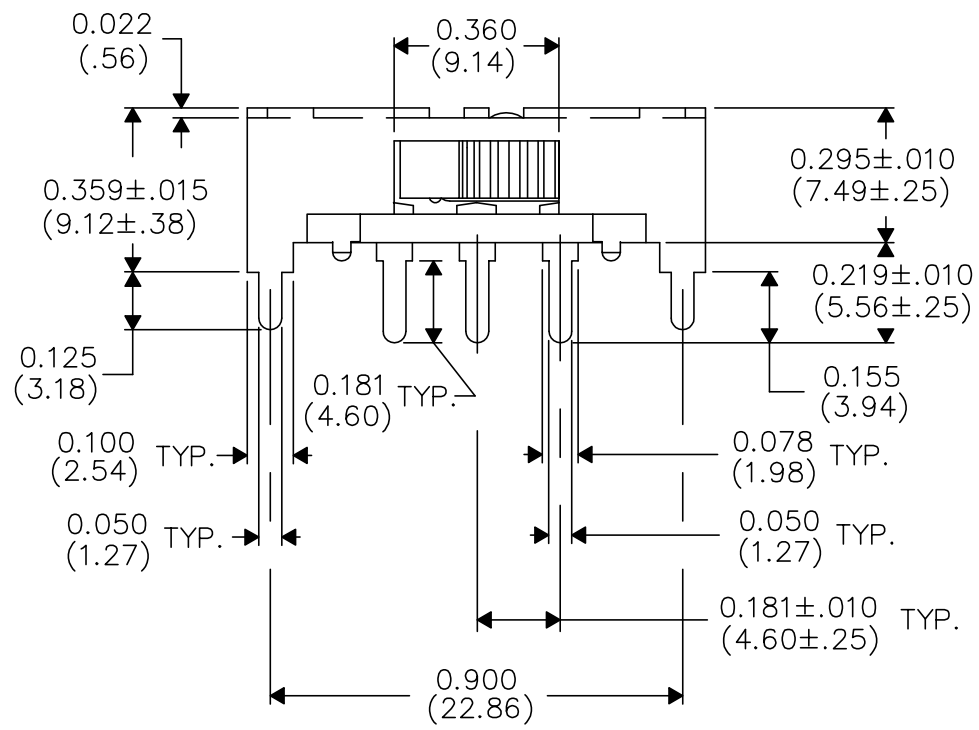
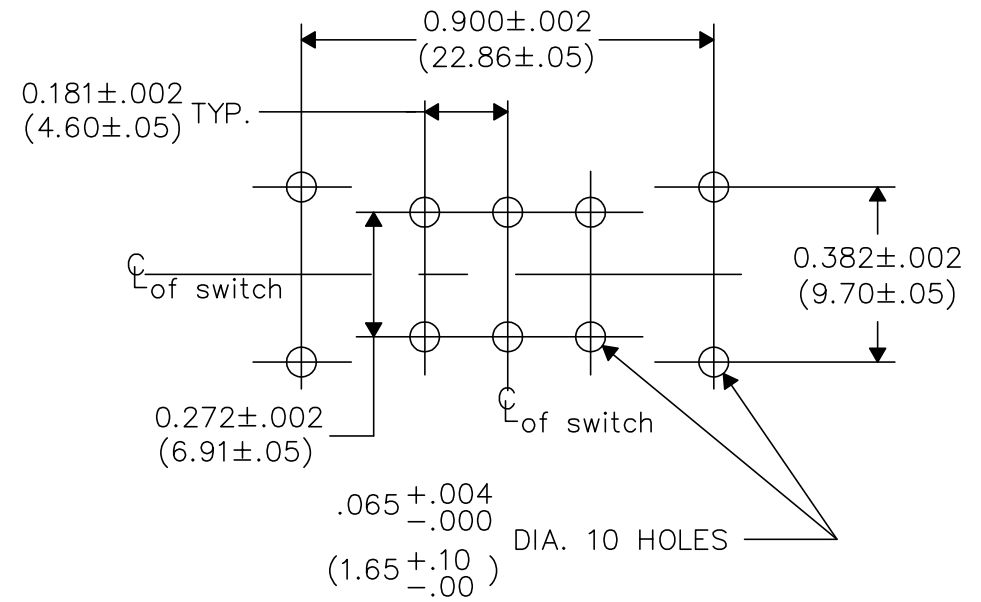
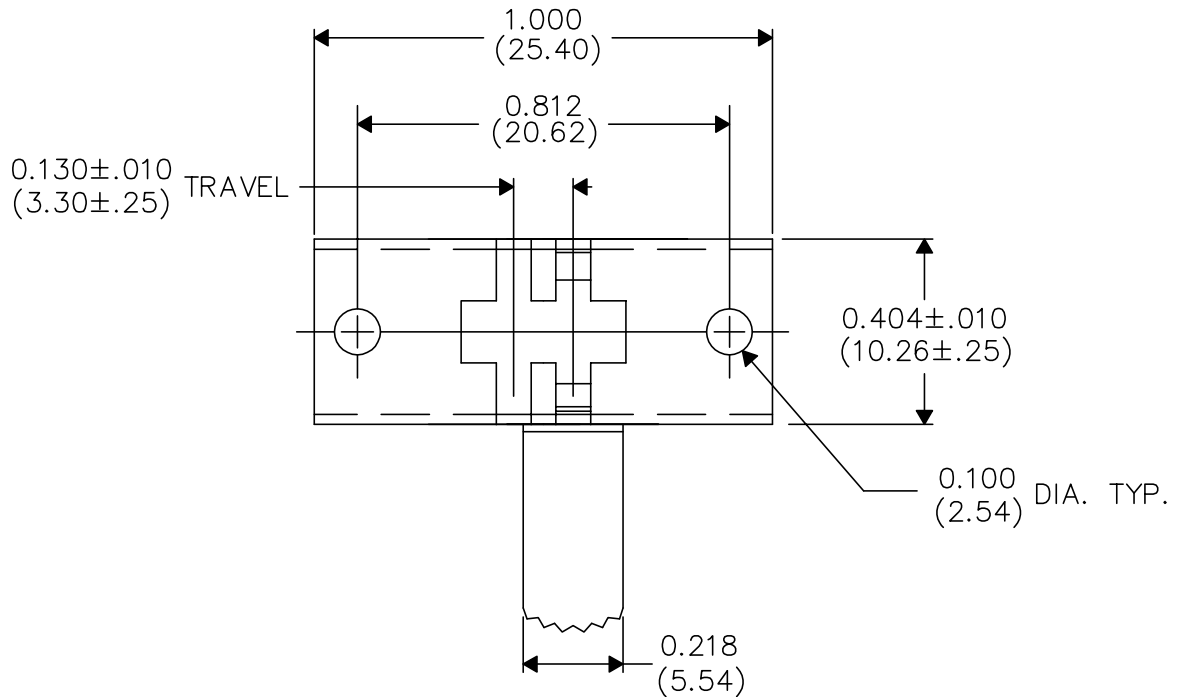


DIMENSIONS IN INCHES (MILLIMETERS)  
DO NOT SCALE DRAWING .....

Dwg. No.  
GPI-152-0014

P.C. LAYOUT



|   |   |   |   |   |   |   |   |   |    |
|---|---|---|---|---|---|---|---|---|----|
| 1 | 2 | 3 | 4 | 5 | 6 | 7 | 8 | 9 | 10 |
|---|---|---|---|---|---|---|---|---|----|

B-FORMAT 2002  
REVISIONS  
0  
RELEASED.  
DCW 4-08-2004  
Apr. 12, 2004

|                         |  |  |  |
|-------------------------|--|--|--|
| PDF File Made           | <b>CW INDUSTRIES</b><br>Southampton, Pa. 18966                     |  | Title:<br>SWIDGET<br>ASSEMBLY<br>D.P.-D.T.<br>SYDEWYNDER (PLUG-IN) |
|                         | TOLERANCES UNLESS OTHERWISE SPECIFIED                              |  |  |
|                         | 2 Place Decimal ±.010<br>3 Place Decimal ±.005<br>Angles ..... ±1° | METRIC<br>1 Place Dec. ±.25mm<br>2 Place Dec. ±.13mm |  |
|                         | Made for: CW IND.  | Division:<br>SWITCH                                  |  |
| Drawn by: DGW 4-08-2004 | Dwg. No.<br>GPI-152-0014   |  |  |
| Checked by: GG 4-12-04  |  |  |  |
| Approval: BF 4-12-4     |  |  |  |