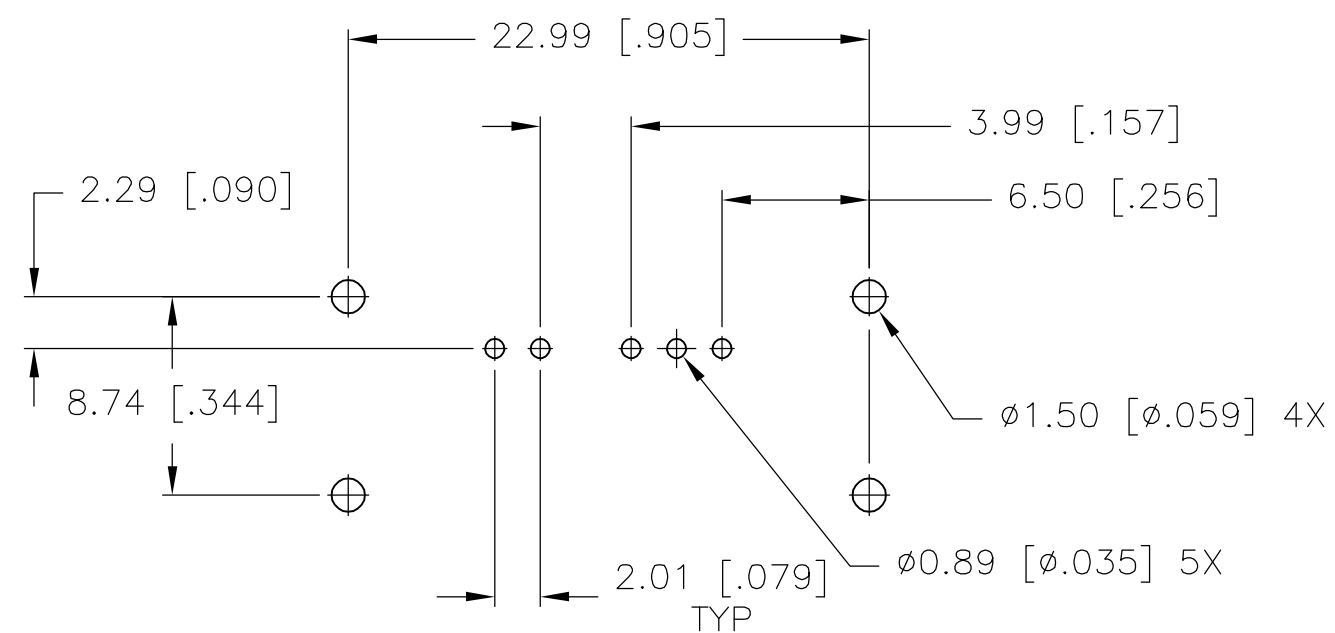
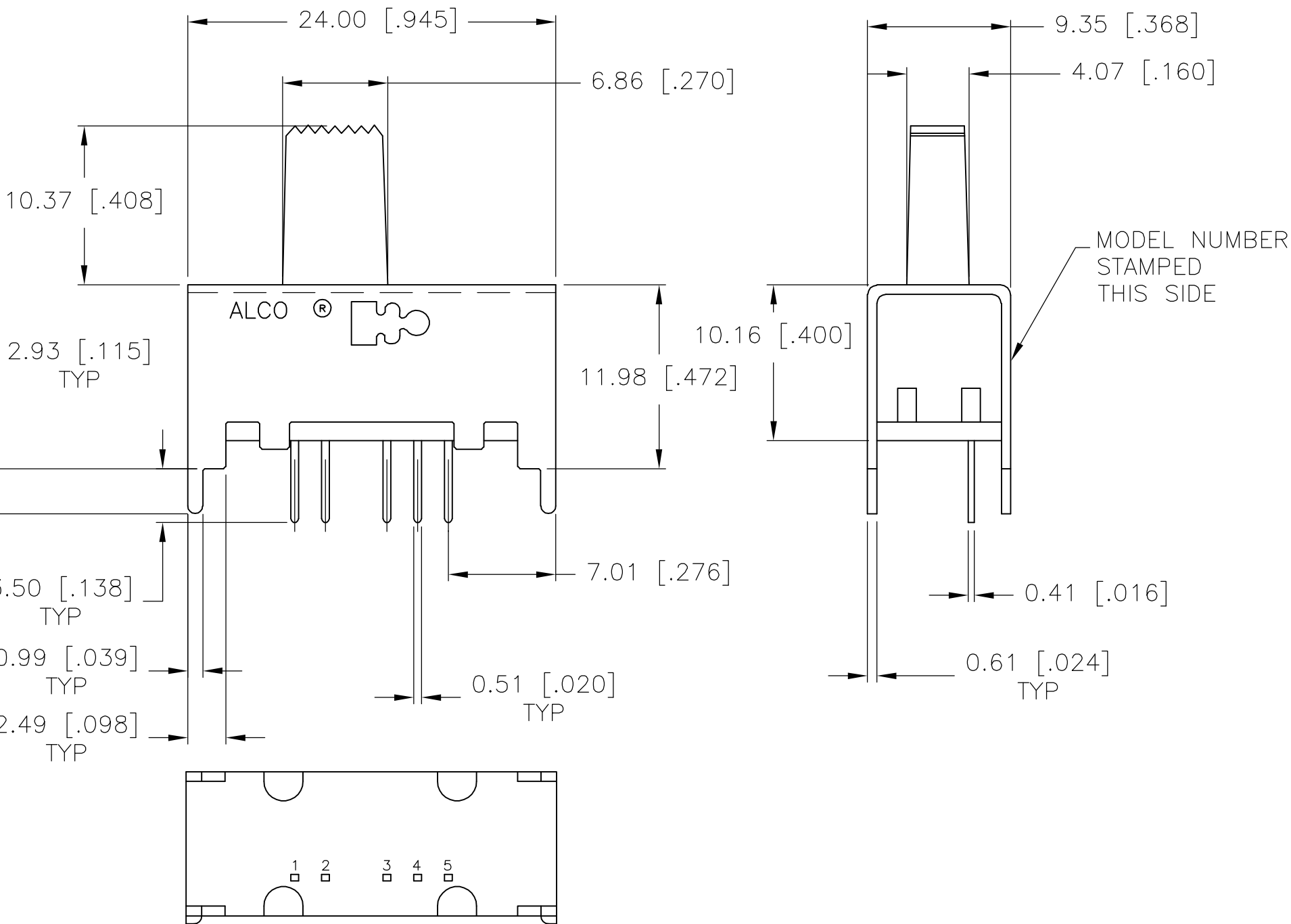
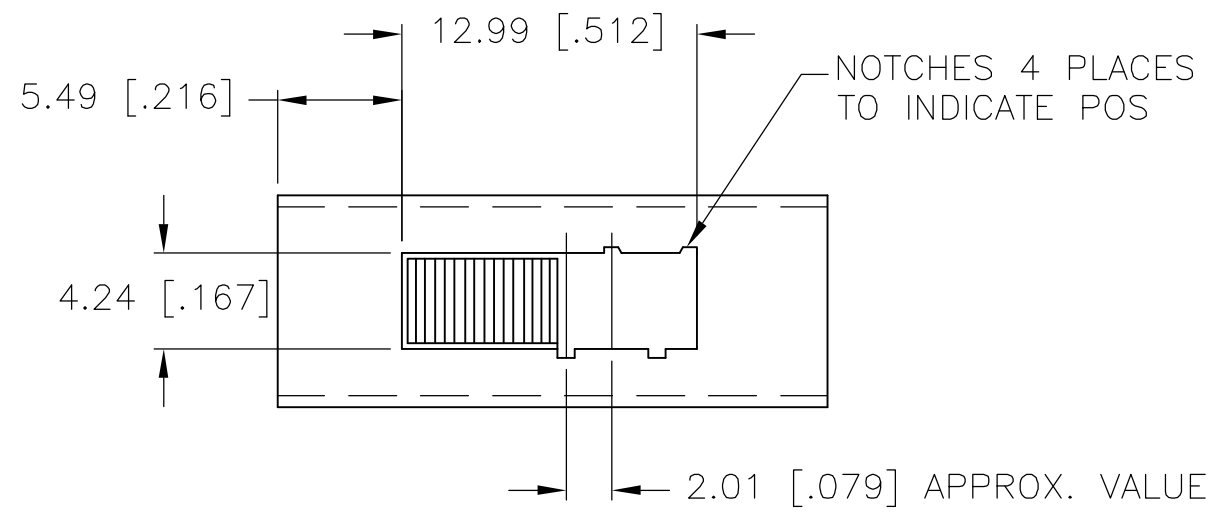


THIS DRAWING IS UNPUBLISHED. RELEASED FOR PUBLICATION
 © COPYRIGHT BY TYCO ELECTRONICS CORPORATION. ALL RIGHTS RESERVED.

LOC		DIST		REVISIONS			
P	LTR	DESCRIPTION		DATE	DWN	APVD	
	A	ECO 05 003709		23MAR06	BSV	MS	



PC BOARD LAYOUT, TOP VIEW
 RECOMMENDED TOLERANCES $\pm .002$

SPECIFICATIONS:
 MAKE-BEFORE-BREAK

MATERIALS:

- ACTUATOR - NYLON 66 UL94V-0, BLACK
- FRAME - TIN PLATED STEEL
- TERMINAL BOARD - PHENOLIC LAMINATE UL94HB, NATURAL
- TERMINAL (SILVER) - COPPER ALLOY- SILVER OVER NICKEL PLATE
- TERMINAL (GOLD) - COPPER ALLOY- TIN OVER NICKEL PLATE
- FIXED CONTACT (SILVER) - COPPER ALLOY- SILVER OVER NICKEL PLATE
- FIXED CONTACT (GOLD) - COPPER ALLOY-GOLD OVER NICKEL PLATE
- MIVING CONTACT (SILVER) - COPPER ALLOY- SILVER OVER NICKEL PLATE
- MIVING CONTACT (GOLD) - COPPER ALLOY-GOLD OVER NICKEL PLATE
- DETENT BALL - STAINLESS STEEL
- COIL SPRING - TEMPERED STEEL WIRE
- SEAL - EPOXY

ELECTRICAL:

- CONTACT RATING - .4VA@20VDC OR PEAK AC (GOLD)
 300mA@125V AC (SILVER)
- INITIAL CONTACT RESISTANCE - 30milliohm max.
- FINAL CONTACT RESISTANCE - 100milliohm max> (AFTER TEST)
- INSULATION RESISTANCE - 1,000Megohms min."
- DIELECTRIC STRENGTH - 500V RMS@SEA LEVEL
- LIFE EXPECTANCY - 15,000 CYCLES MIN."

MECHANICAL:

- ACTUATION FORCE - 600 \pm 300 GRAMS
- TRAVEL - 2.00 \pm 0.51[.079 \pm .020]

ENVIRONMENTAL:

- OPERATING TEMPERATURE - -20 TO +85 DEGREES C
- STORAGE TEMPERATURE - -40 TO +100 DEGREES C
- RESISTANCE TO SOLDER HEAT PER 109-202, CONDITION B
- SOLDERABILITY PER EIA- 364-52, CLASS 2, CATEGORY 1, 95% MIN COVERAGE

1,3	2,3	3,4	3,5	SP4T	GOLD	MSSA1450G04	1825196-2
1,3	2,3	3,4	3,5	SP4T	SILVER	MSSA145004	1825196-1
				TYPE	CONTACT PLATING	ALCO P/N	TYCO P/N
LEFT	LEFT CENTER	RIGHT CENTER	RIGHT				
ACTUATOR POSITION							

THIS DRAWING IS A CONTROLLED DOCUMENT.		DWN	C.THEODORE	17SEP96	tyco Tyco Electronics Corporation Harrisburg, PA 17105-3608		
DIMENSIONS: mm [INCHES]		CHK	-	-	NAME		
TOLERANCES UNLESS OTHERWISE SPECIFIED:		APVD	-	-	PRODUCT SPEC		
0 PLC \pm -		APPLICATION SPEC	-	-	OUTLINE DRAWING SLIDE SWITCH,(SP 4 POS.) MSSA-1450 SERIES		
1 PLC \pm -		WEIGHT	-	-	SIZE	CAGE CODE	DRAWING NO
2 PLC \pm 0.25[.010]		CUSTOMER DRAWING		SCALE	3:1	SHEET	1 OF 1
3 PLC \pm -		SEE SPECIFICATIONS		REV	A	RESTRICTED TO	
4 PLC \pm -		SEE SPECIFICATIONS		A2 00779 C=1825196			
ANGLES \pm 1'		FINISH		REV			