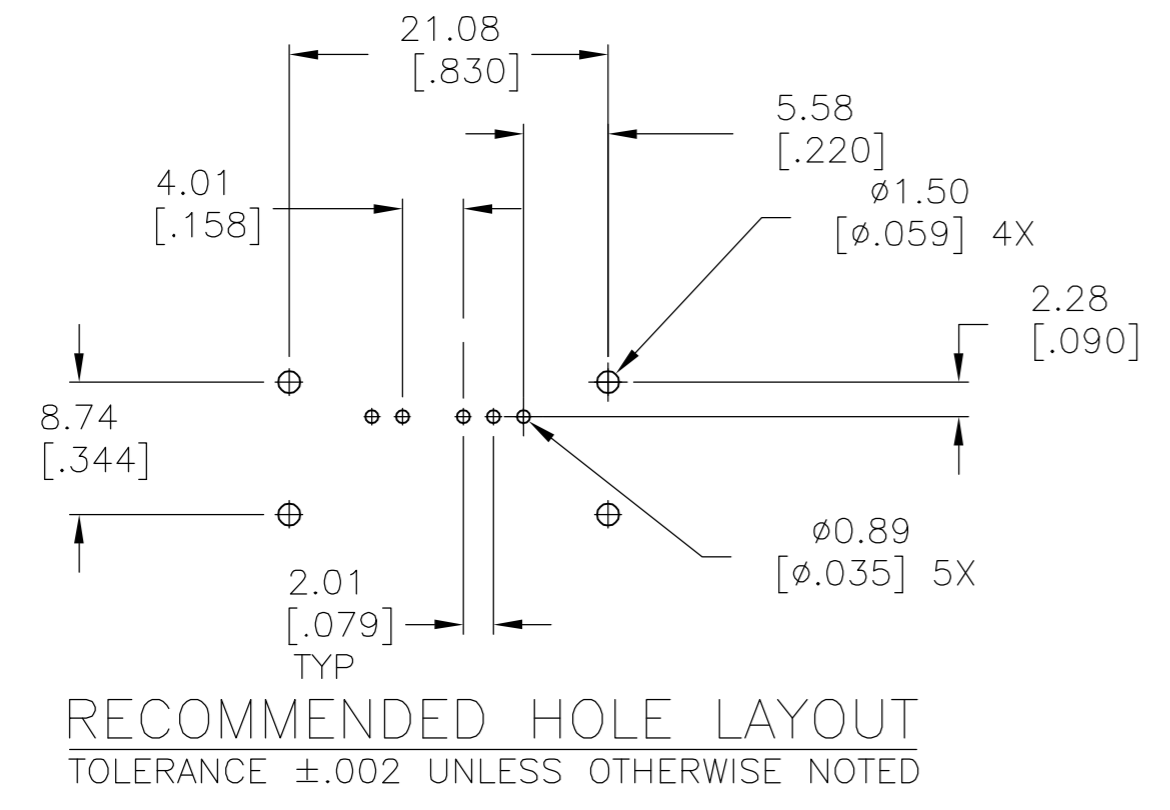
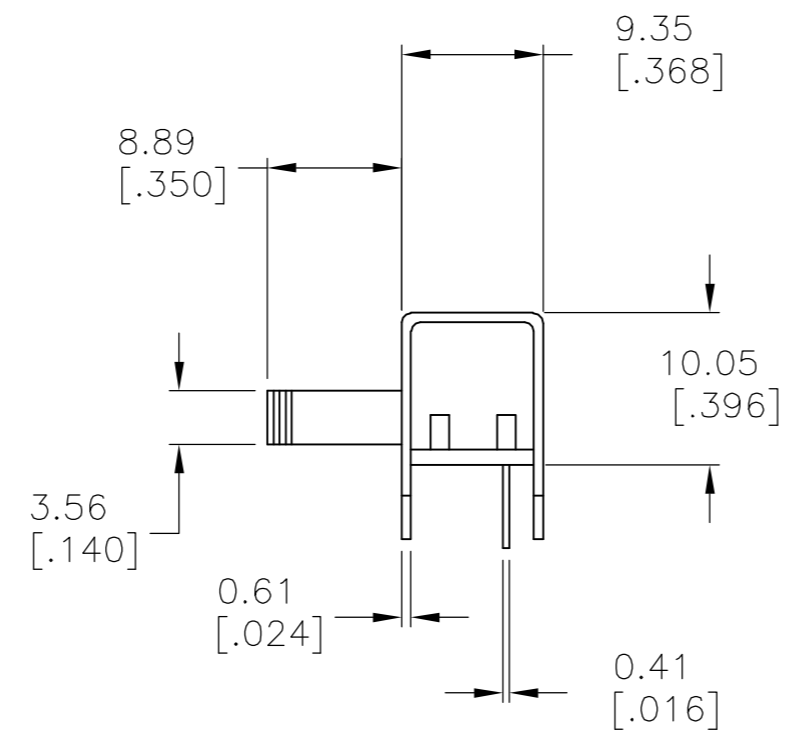
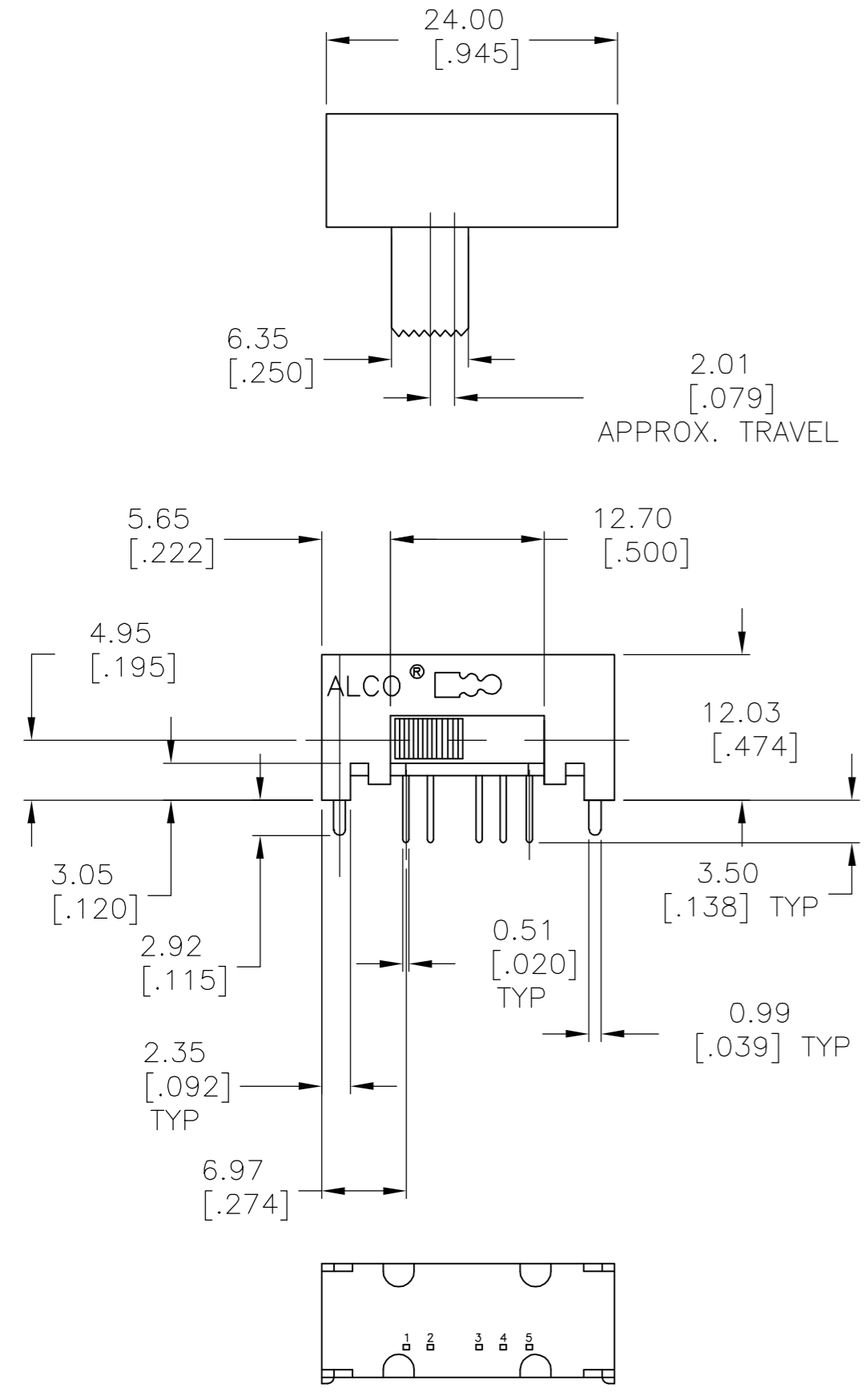


THIS DRAWING IS UNPUBLISHED. RELEASED FOR PUBLICATION
 © COPYRIGHT BY TYCO ELECTRONICS CORPORATION. ALL RIGHTS RESERVED.

LOC		DIST		REVISIONS			
P	LTR	DESCRIPTION	DATE	DWN	APVD		
AD	00	A	ECO 05 003709	23MAR06	BSV	MS	



RECOMMENDED HOLE LAYOUT
 TOLERANCE ±.002 UNLESS OTHERWISE NOTED

SPECIFICATIONS:
 MAKE-BEFORE-BREAK

MATERIALS:
 ACTUATOR - NYLON 66 UL94V-0, BLACK
 FRAME - TIN PLATED STEEL
 TERMINAL BOARD - PHENOLIC LAMINATE UL94HB, NATURAL
 TERMINAL (SILVER) - COPPER ALLOY- SILVER OVER NICKEL PLATE
 TERMINAL (GOLD) - COPPER ALLOY- TIN OVER NICKEL PLATE
 FIXED CONTACT (SILVER) - COPPER ALLOY- SILVER OVER NICKEL PLATE
 FIXED CONTACT (GOLD) - COPPER ALLOY-GOLD OVER NICKEL PLATE
 MOVING CONTACT (SILVER) - COPPER ALLOY- SILVER OVER NICKEL PLATE
 MOVING CONTACT (GOLD) - COPPER ALLOY-GOLD OVER NICKEL PLATE
 DETENT BALL - STAINLESS STEEL
 COIL SPRING - TEMPERED STEEL WIRE
 SEAL - EPOXY

ELECTRICAL:
 CONTACT RATING - .4VA@20VDC OR PEAK AC (GOLD)
 300mA@125V AC (SILVER)
 INITIAL CONTACT RESISTANCE - 30 MILLIOHM MAX
 FINAL CONTACT RESISTANCE - 100 MILLIOHM MAX (AFTER TEST)
 INSULATION RESISTANCE - 1,000 MEGOHMS MIN
 DIELECTRIC STRENGTH - 500V RMS@SEA LEVEL
 LIFE EXPECTANCY - 15,000 CYCLES MIN.

MECHANICAL:
 ACTUATION FORCE - 600±300 GRAMS
 TRAVEL - 2.00±0.51 [.079±.020]

ENVIRONMENTAL:
 OPERATING TEMPERATURE - -20 TO +85 DEGREES C
 STORAGE TEMPERATURE - -40 TO +100 DEGREES C
 RESISTANCE TO SOLDER HEAT PER 109-202, CONDITION B
 SOLDERABILITY PER EIA- 364-52, CLASS 2, CATEGORY 1, 95% MIN COVERAGE

- NOTES:
 1. ALL MATERIALS AND FINISHES SHALL COMPLY WITH EU DIRECTIVE 2002 95/EC OF 27JAN2003 (ROHS).
 2. ANTI SOLDER WICK SEAL AT TERMINAL TO BOARD INTERFACE.

1,3	2,3	3,4	3,5	SP4T	GOLD	MSSA1450RG04	1825197-2
1,3	2,3	3,4	3,5	SP4T	SILVER	MSSA1450R04	1825197-1
				TYPE	CONTACT PLATING	ALCO P/N	TYCO P/N
LEFT	LEFT CENTER	RIGHT CENTER	RIGHT				
ACTUATOR POSITION							

THIS DRAWING IS A CONTROLLED DOCUMENT.		DWN	TRU-D	29MAY96	tyco Electronics			Tyco Electronics Corporation Harrisburg, PA 17105-3608	
DIMENSIONS: mm [INCHES]		CHK	-	-				NAME	
TOLERANCES UNLESS OTHERWISE SPECIFIED:		APVD	-	-	PRODUCT SPEC		APPLICATION SPEC		
0 PLC ± -		WEIGHT		-	SIZE		CAGE CODE	DRAWING NO	RESTRICTED TO
1 PLC ± -		MATERIAL		-	A2		00779	C=1825197	-
2 PLC ± 0.25 [.010]		FINISH		-	SCALE		2:1	SHEET	1 of 1
3 PLC ± -		SEE SPECIFICATIONS		-	CUSTOMER DRAWING		REV		A
4 PLC ± -		SEE SPECIFICATIONS		-	SCALE		2:1	SHEET	1 of 1
ANGLES ± -		SEE SPECIFICATIONS		-	CUSTOMER DRAWING		REV		A