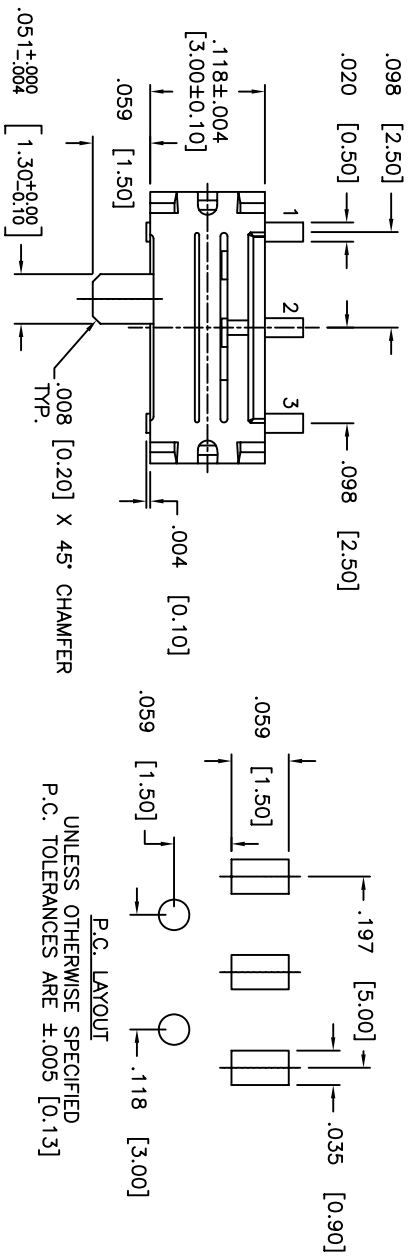


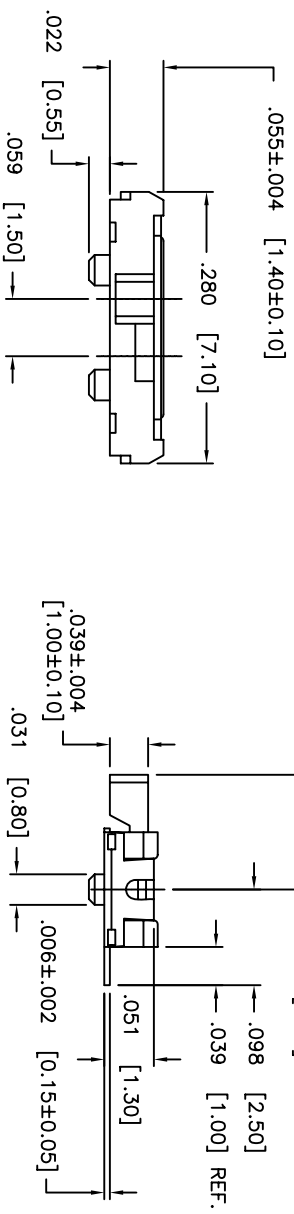
THIS DOCUMENT IS THE PROPERTY OF APDM COMPONENTS AND SHALL NOT BE COPIED, REPRODUCED, DISCLOSED OR USED AS THE BASIS FOR MANUFACTURING OR SALE WITHOUT PERMISSION OF A DULY AUTHORIZED REPRESENTATIVE OF APDM COMPONENTS INC.

DATE	SYM	REVISION RECORD	DWNL	CK
10/05	A	ECO# 485	CD	PD
3/06	B	ECO# 550	CD	PD



UNLESS OTHERWISE SPECIFIED P.C. TOLERANCES ARE ±.005 [0.13]

P.C. LAYOUT

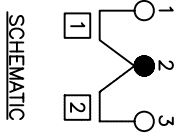


DESCRIPTION: SPDT ULTRAMINIATURE RIGHT ANGLE SURFACE MOUNT SLIDE SWITCH, AVAILABLE WITH OR WITHOUT TAPE & REEL PACKAGING.

SPECIFICATIONS:
 RATING: 300mA, 4 VDC RESISTIVE LOAD
 INITIAL CONTACT RESISTANCE: 70mOHMS MAX.
 INSULATION RESISTANCE: 100MOMHS MIN.
 @ 100 VDC
 WITHSTANDING VOLTAGE: 100 VAC for 1 minute
 OPERATING FORCE: 1.47±0.98 N, 150±1.00gf
 ELECTRICAL LIFE: 10,000 CYCLES MIN.
 OPERATING TEMP. RANGE: -10°C TO +60°C
 STORAGE TEMP. RANGE: -20°C TO +85°C
 OPERATING LIFE: 10,000

MATERIALS:
 COVER: PHOSPHOR BRONZE WITH 1µm NICKEL PLATING
 SLIDER: POLAMIDO RESINS
 SWITCH BASE: POLYPHENYLENE SULFIDE RESINS
 TERMINAL: BRASS WITH 0.5µm SILVER OVER 1µm NICKEL OR 0.5 µm SILVER CLADD
 CONTACT: PHOSPHOR BRONZE WITH 1µm SILVER CLADDING
 SOLDERING:
 HAND SOLDERING: 350°C±10°C FOR 3±1 SECONDS
 IR REFLOW: 240°C MAX.

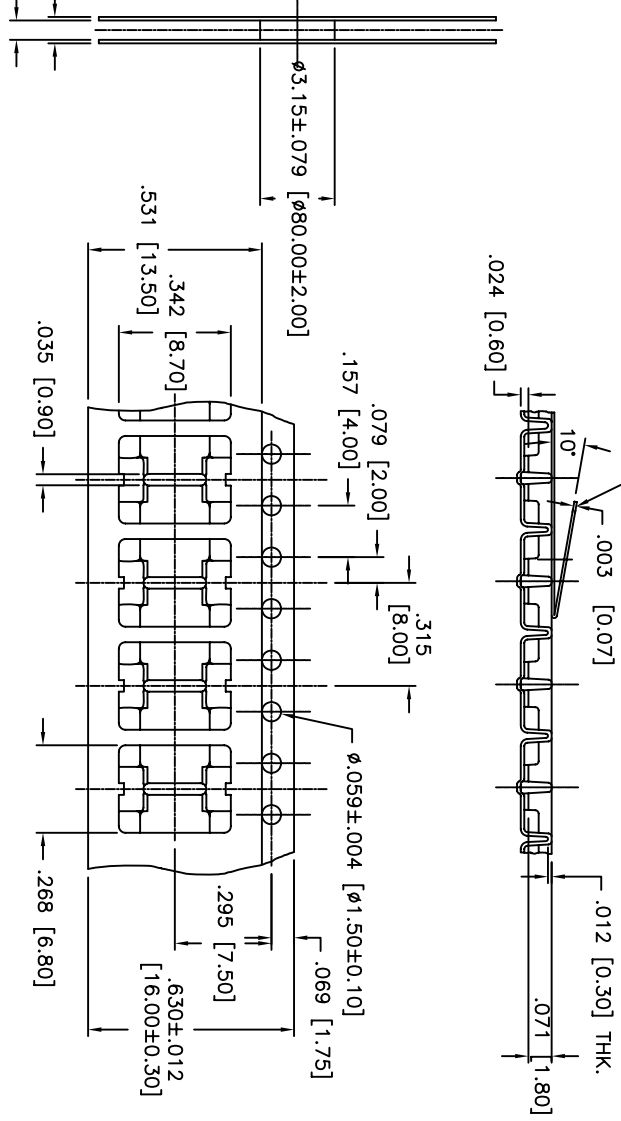
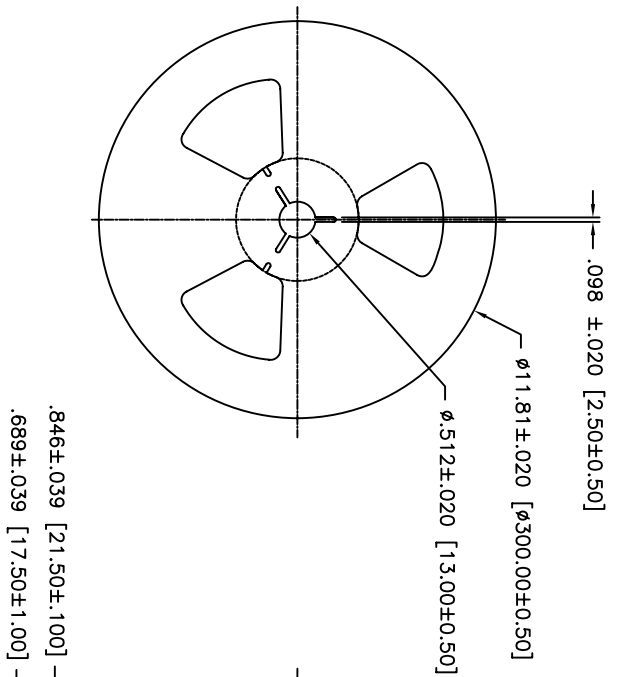
PART No.	PACKAGING
MRC12R	BULK
MRC12RTR	TAPE & REEL



SCHEMATIC

0A. INSPECT:		63 Neck Rd. Hendersonville, NC 27539 Phone: 704-772-5554 Fax: 704-772-5554		PPN: DPM BR: PJD
DESIGNER'S INITIAL	INCH	SHEET	SIZE	SCALE
	1 OF 2	B	8:1	THIRD ANGLE PROJECTION
TOLERANCES (UNLESS OTHERWISE SPECIFIED)	TITLE			
.XX±.02[0.05]	MRC12R*			
.XXX±.004[0.20]				
.XXXX±.0008[0.02]				
ANGLE = 30.5°				
DO NOT SCALE	DATE	DRAWING NO.	REV	
	08/16/00	B7500	B	

THIS DOCUMENT IS THE PROPERTY OF APEM COMPONENTS AND SHALL NOT BE COPIED, REPRODUCED, DISCLOSED OR USED AS THE BASIS FOR MANUFACTURING OR SALE WITHOUT PERMISSION OF A DULY AUTHORIZED REPRESENTATIVE OF APEM COMPONENTS INC.



NOT TO SCALE

DATE	SYM	REVISION RECORD	DWN.	CK.
10/05	A	ECO# 485	CD	PD
3/06	B	ECO# 550	CD	PD

Q.A. INSPECT:
 DIMENSIONS CRITICAL
 TOLERANCES (UNLESS OTHERWISE SPECIFIED)
 .XX = ±0.02 [0.05]
 .XXX = ±0.008 [0.20]
 .XXXX = ±0.0008 [0.02]
 ANGLE = 10.5°

APEM
 APEM COMPONENTS, INC.
 63 Neck Rd.
 Hopkinton, MA 01835
 Phone: 978-372-5554
 Fax: 978-372-5554

DESIGN: PJD
 DRAWN: PJD
 CHECKED: PJD
 DATE: 08/16/00
 SHEET: 2 OF 2
 SIZE: B
 SCALE: 8:1
 TITLE: MRC12R*
 DO NOT SCALE
 DRAWING NO. B7500
 REV. A