

THIS DRAWING IS UNPUBLISHED. RELEASED FOR PUBLICATION
 © COPYRIGHT BY TYCO ELECTRONICS CORPORATION. ALL RIGHTS RESERVED.

LOC	DIST	REVISIONS					
AD	00	P	LTR	DESCRIPTION	DATE	DWN	APVD
		A		ECO 05 006799	29APR06	BSV	SM

SPECIFICATIONS:
 BREAK BEFORE MAKE

MATERIALS:

- FRAME: STEEL,ZINC PLATE
- ACTUATOR: PBT,UL94HB,BLACK
- TERMINAL/FIXED CONTACT: COPPER ALLOY, AG OVER NI OR AU OVER NI PLATE.
- MOVING CONTACT: COPPER ALLOY, AG OVER NI OR AU OVER NI PLATE
- TERMINAL BOARD: PHENOLIC, UL94HB
- COIL SPRING: CARBON STEEL WIRE

ELECTRICAL:

- CONTACT RATING, 250MILLIAMPS @ 125V AC, 150MILLIAMPS @ 12V DC
- CONTACT RESISTANCE, 30 MILLIOHMS MAX (INITIAL), 60 MILLIOHMS AFTER TEST
- INSULATION RESISTANCE: 500 MEGOHMS MIN.
- DIELECTRIC STRENGTH: 500 VOLTS RMS @SEA LEVEL
- LIFE EXPECTANCY: 10,000 CYCLES MIN. NO LOAD, 6,000 AT RATED CURRENT.

MECHANICAL:

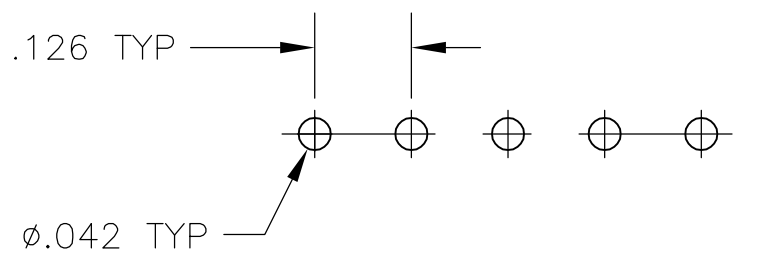
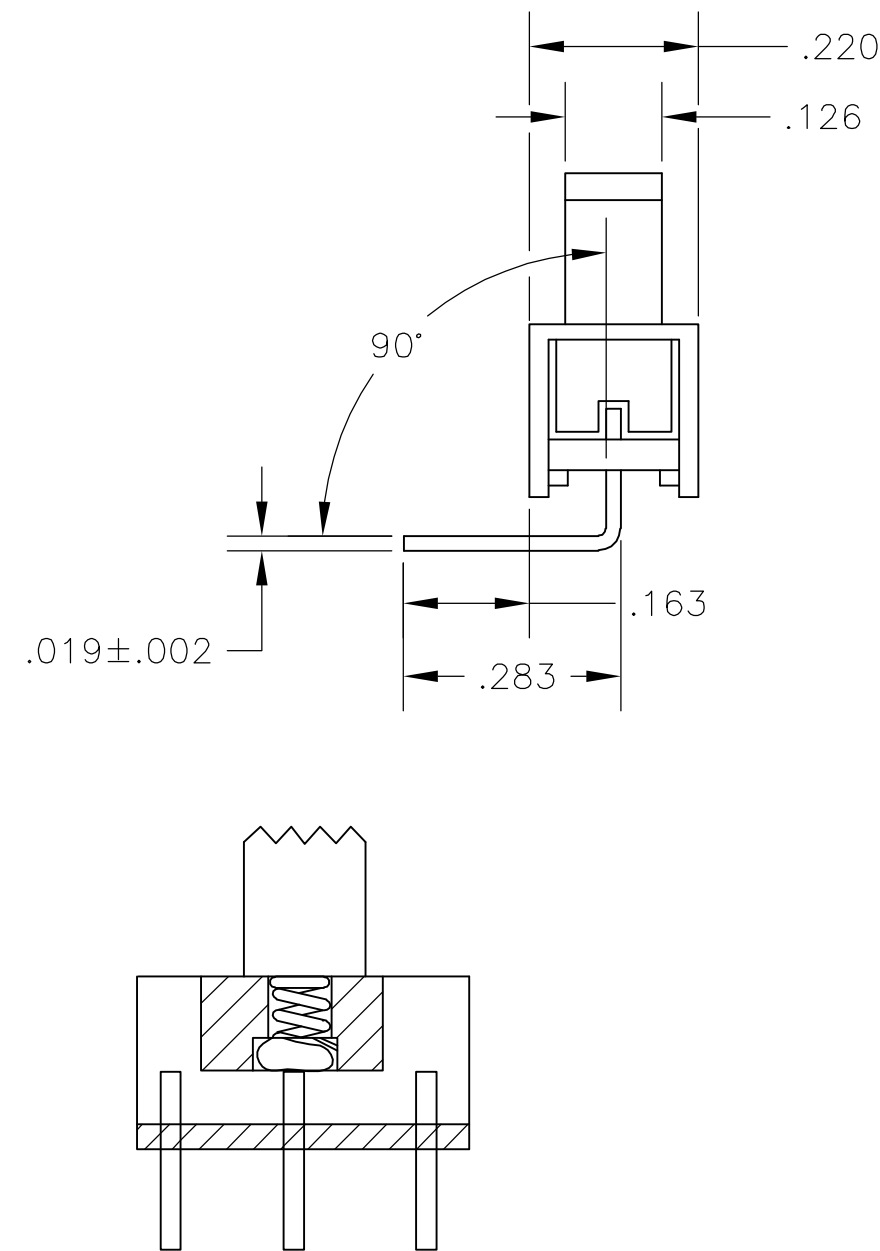
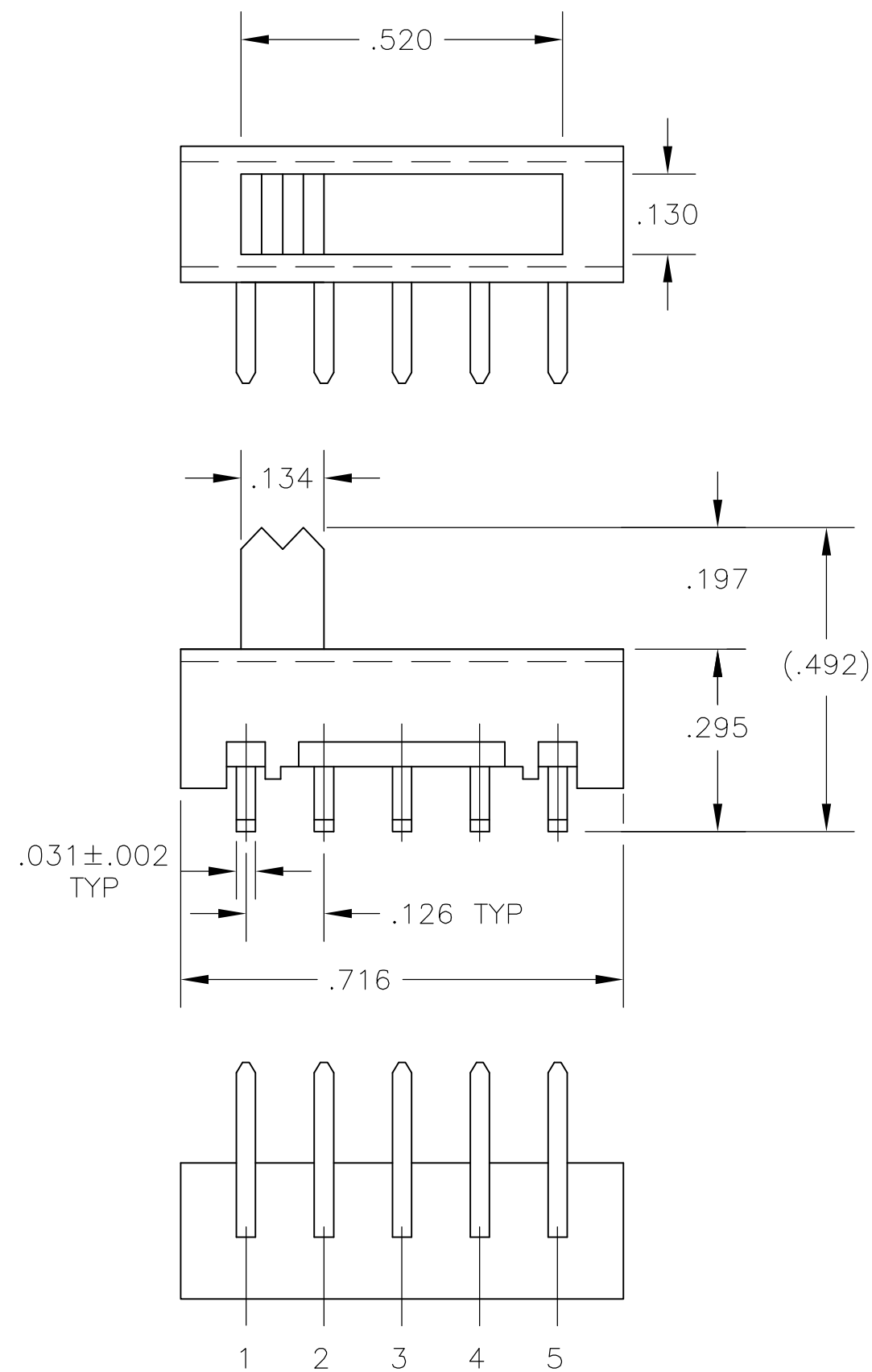
- ACTUATION FORCE, 250 +150/-100 GRAMS
- TRAVEL, .126 (3.20)

ENVIRONMENTAL:

- OPERATING TEMPERATURE: -10°C TO +85°C
- STORAGE TEMPERATURE: -10°C TO +85°C
- RESISTANCE TO SOLDER HEAT, 260°C FOR 10 SEC PER 109-202, CONDITION B
- SOLDERABILITY PER EIA-364-56A, PROCEDURE 3, CONDITION B

NOTE:

- ALL MATERIALS AND FINISHES SHALL COMPLY WITH EU DIRECTIVE 2002/95/EC OF 27 JAN2003 (ROHS)
- ALL PERFORMANCE SPECIFICATIONS WERE TESTED IN ACCORDANCE WITH JIS-C-5441 UNLESS OTHERWISE STATED.



RECOMMENDED HOLE LAYOUT

1-2	2-3	3-4	4-5	SLS141RA04	1825120-1
LEFT	LMID	RMID	RIGHT	ALCO PART NO.	TYCO PART NO.

THIS DRAWING IS A CONTROLLED DOCUMENT.		DWN B S VISWESWARA	08MAR2005		tyco Electronics	Tyco Electronics Corporation Harrisburg, Pa 17105-3608	
DIMENSIONS: INCHES		CHK M S SARVER	-			NAME	
TOLERANCES UNLESS OTHERWISE SPECIFIED:		APVD -	-		PRODUCT SPEC		
0 PLC ± -		-		APPLICATION SPEC			
1 PLC ± -		-		-			
2 PLC ± -		-		-			
3 PLC ± .010		-		-			
4 PLC ± -		-		-			
ANGLES ± -		-		-			
FINISH		-		-			
MATERIAL SEE TABLE		-		WEIGHT	-	SIZE	A2
		-		CAGE CODE		00779	
		-		DRAWING NO		C=1825120	
		-		RESTRICTED TO		-	
		-		SCALE		4:1	
		-		SHEET		1 OF 1	
		-		REV		A	

1825120