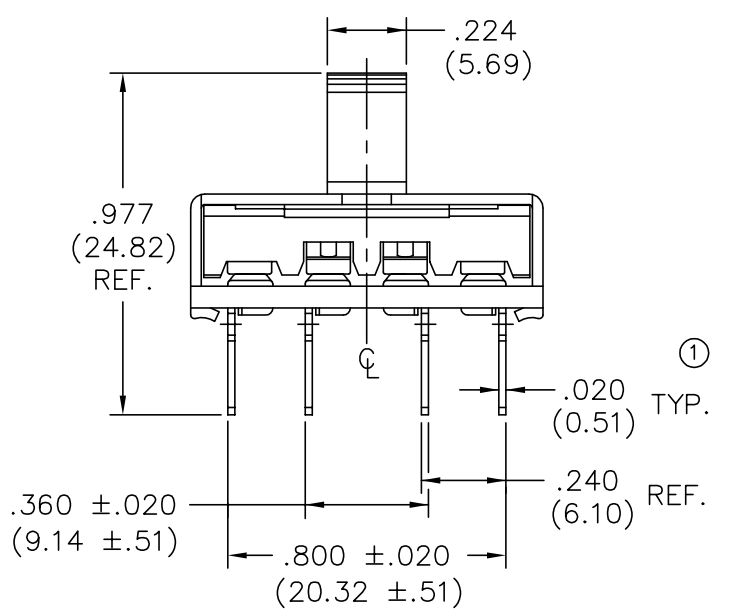
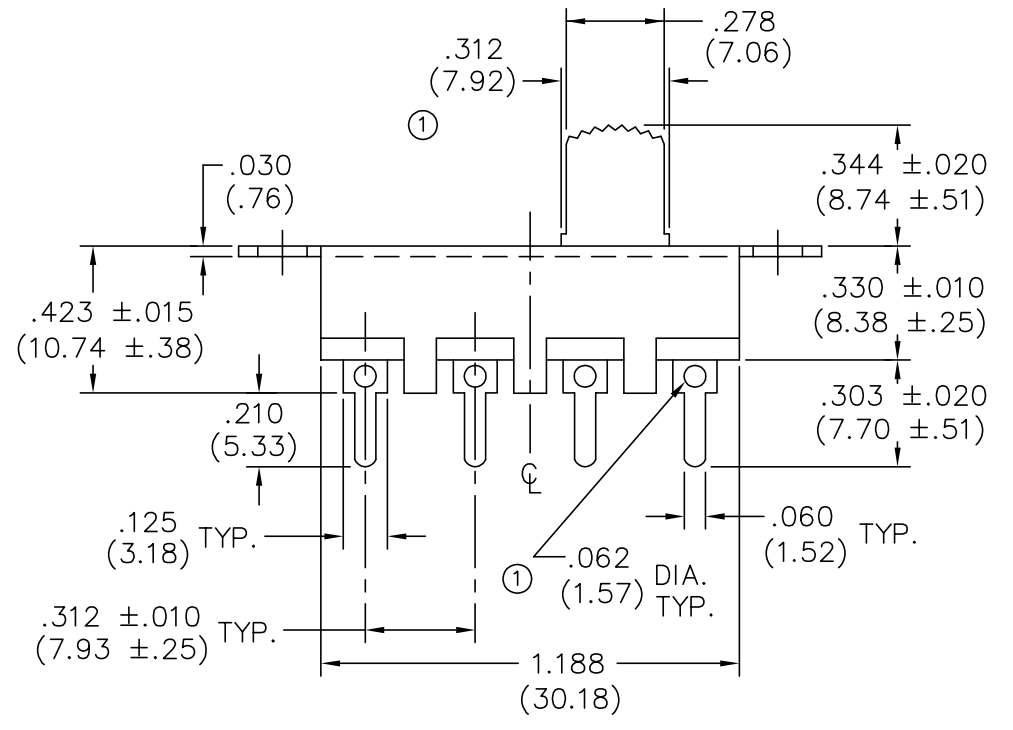
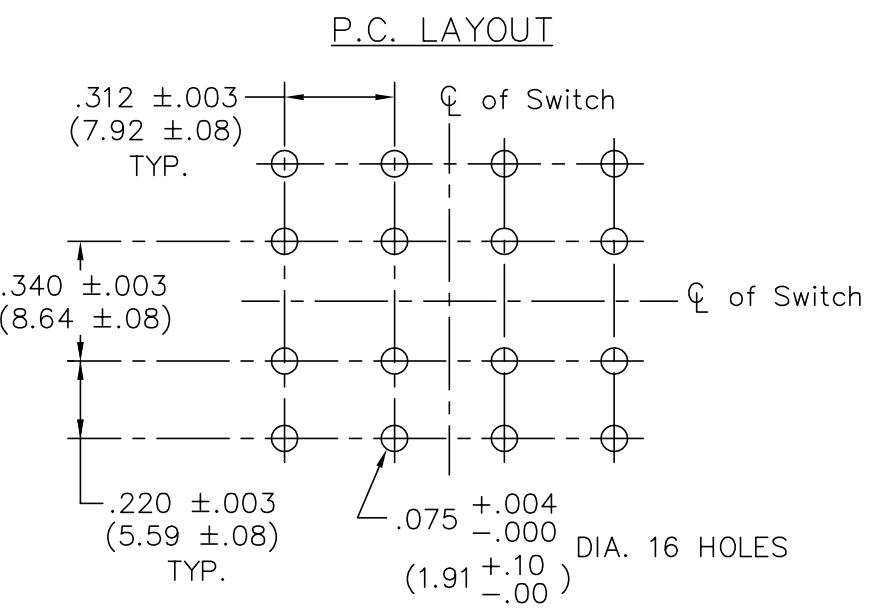
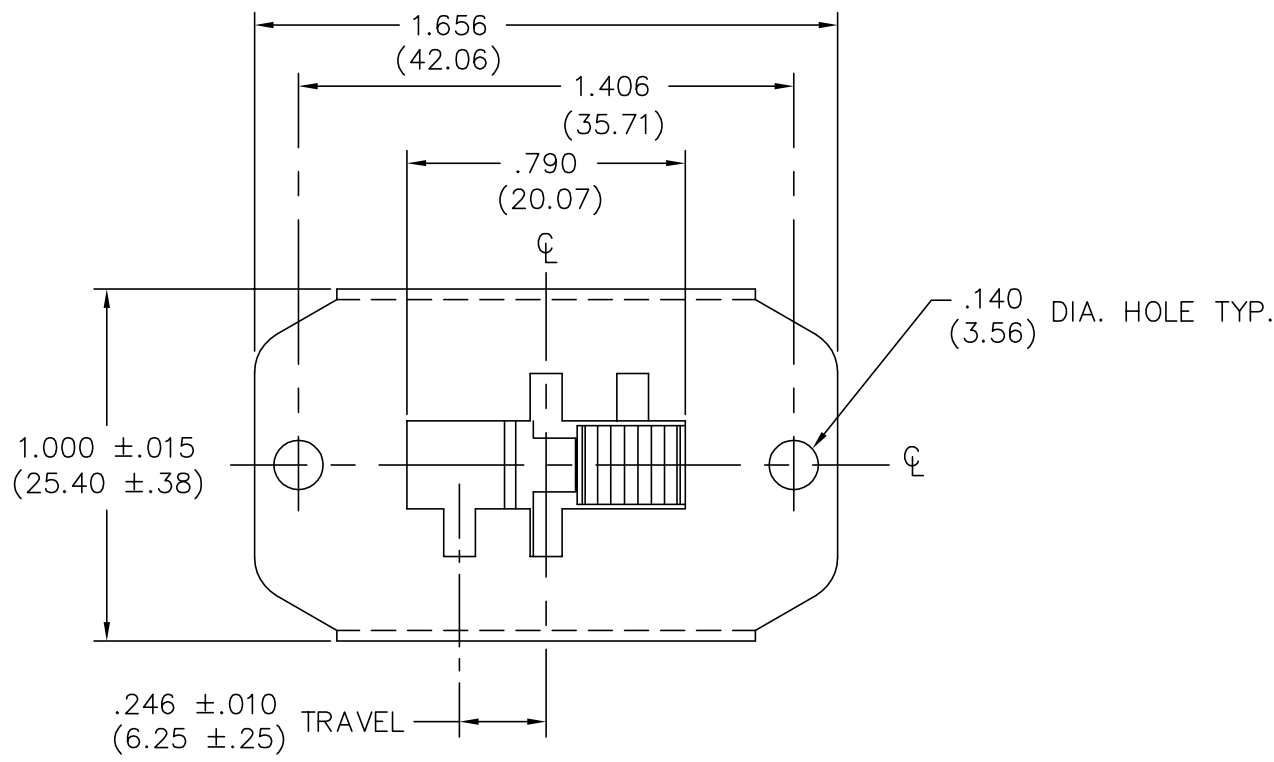


DIMENSIONS IN INCHES (MILLIMETERS)
DO NOT SCALE DRAWING

Dwg. No.
G-660S-6010



1 2 3 4 5 6 7 8 9 10

B-FORMAT 2002	REVISIONS	0	RELEASED. DGW 2-12-96 FEB. 20 1996
		1	REDRAWN. BUTTON WIDTH .312 WAS .307. UPDATED VIEWS. ADDED .020 & .062 DIA.. DGW 3-26-2004 May 04, 2004

PDF File Made		Made for: CW IND.	Division: SWITCH
		Drawn by: DGW 3-26-2004	Dwg. No. G-660S-6010
		Checked by: GG 5-3-4	
		Approval: BF 5-3-4	

CW INDUSTRIES
Southampton, Pa. 18966

TOLERANCES UNLESS OTHERWISE SPECIFIED

2 Place Decimal ±.010	METRIC
3 Place Decimal ±.005	1 Place Dec. ±.25mm
Angles ±1°	2 Place Dec. ±.13mm

Title: ASSEMBLY SWITCH
4 P.- 3 POS.

Dwg. No. G-660S-6010