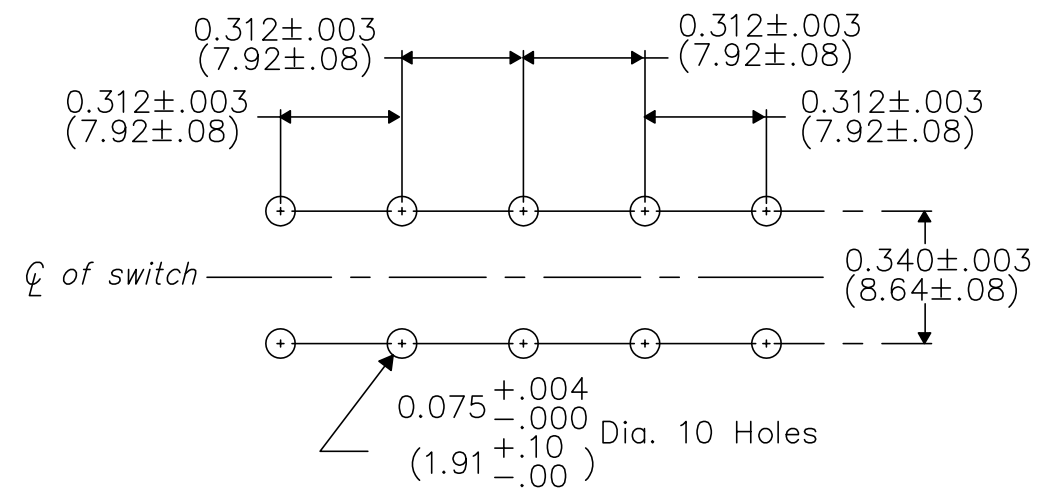
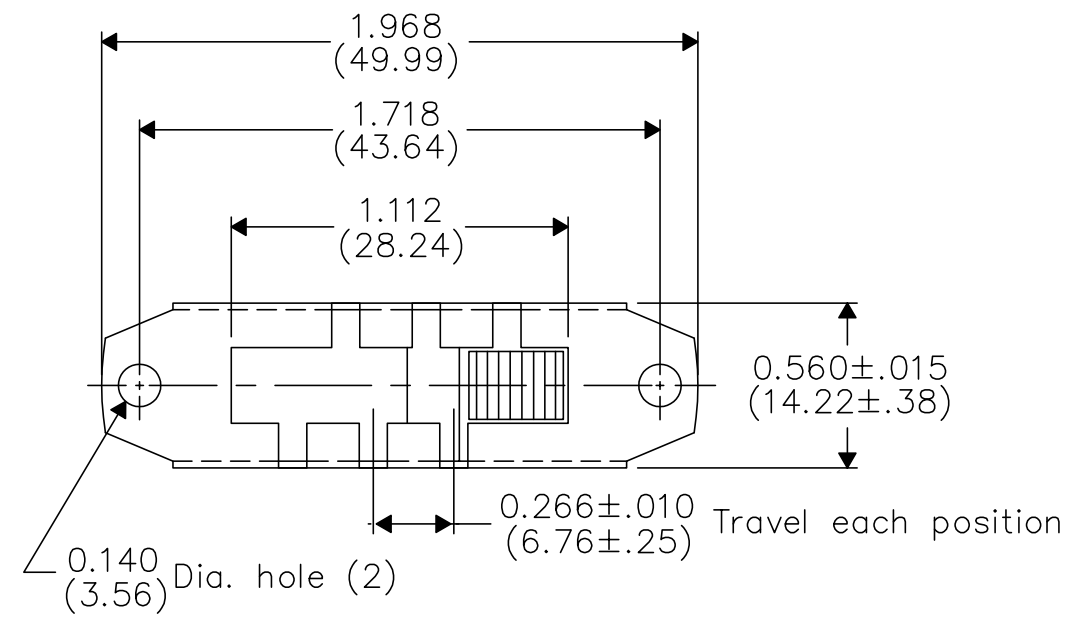
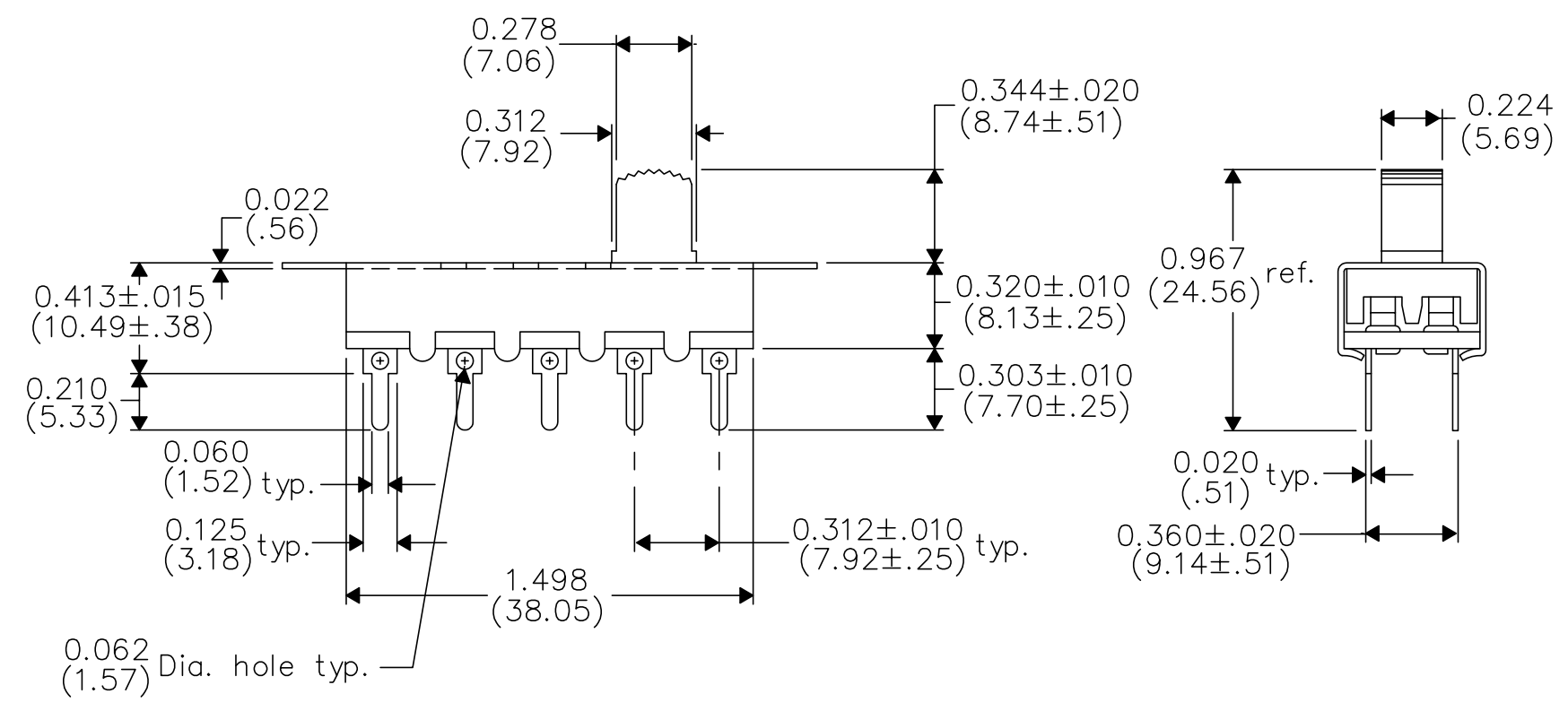


DIMENSIONS IN INCHES (MILLIMETERS)
DO NOT SCALE DRAWING

Dwg. No.
G-1138S-1110



P.C. LAYOUT



1 2 3 4 5 6 7 8 9 10

FORM-B4	REVISIONS	0
		RELEASED. SPR 3-9-92 Mar. 10, 1992

CW INDUSTRIES Southampton, Pa. 18966	
TOLERANCES UNLESS OTHERWISE SPECIFIED	
2 Place Decimal ±.010	METRIC
3 Place Decimal ±.005	1 Place Dec. ±.25mm
Angles ±1°	2 Place Dec. ±.13mm
Made for: CW IND.	
Drawn by: SPR 3-9-92	
Checked by: GG 3-10-92	
Approval: GZ	

Title: ASSEMBLY DRAWING SWITCH D.P./4 POS.
Division: SWITCH
Dwg. No. G-1138S-1110