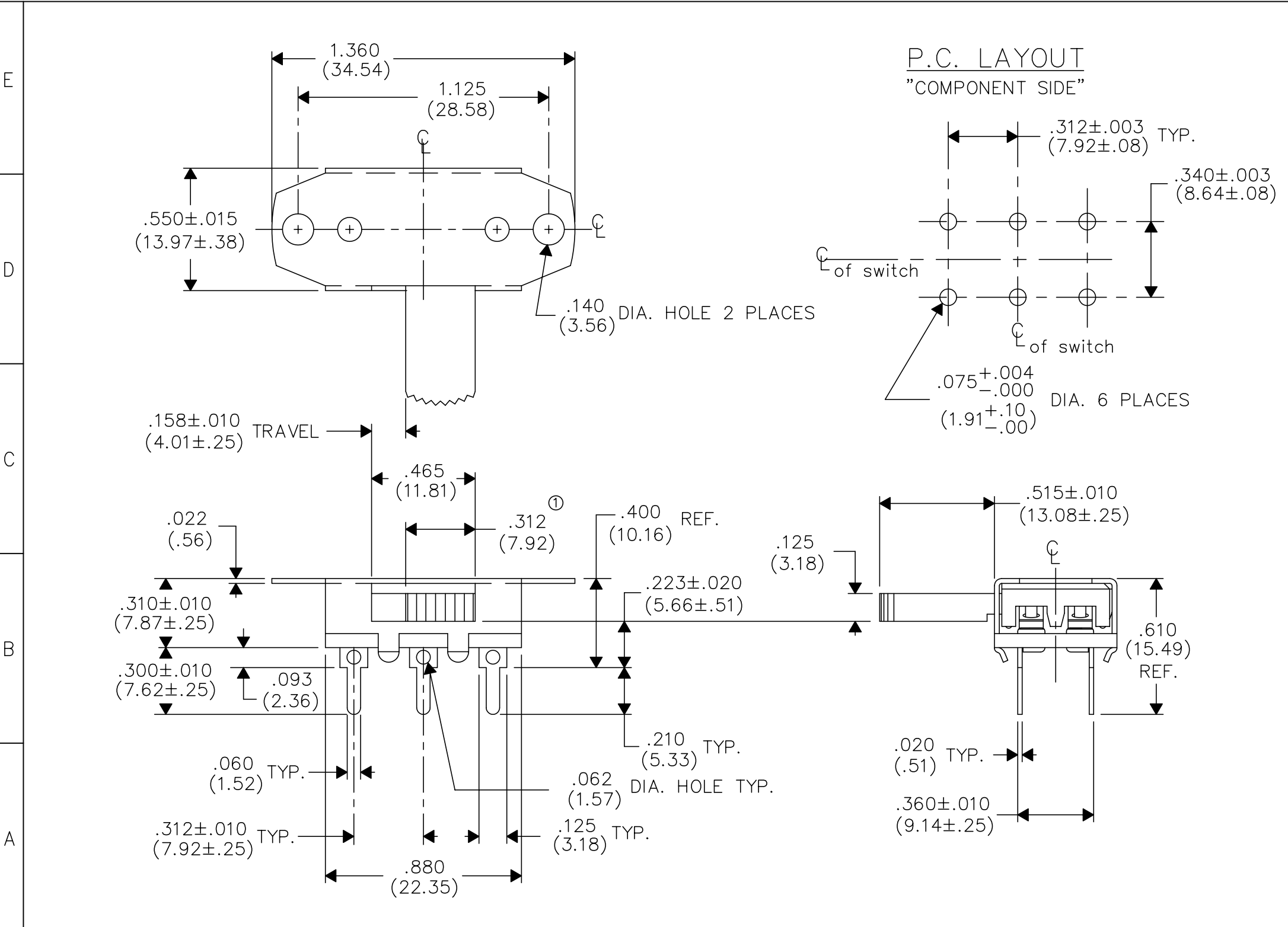
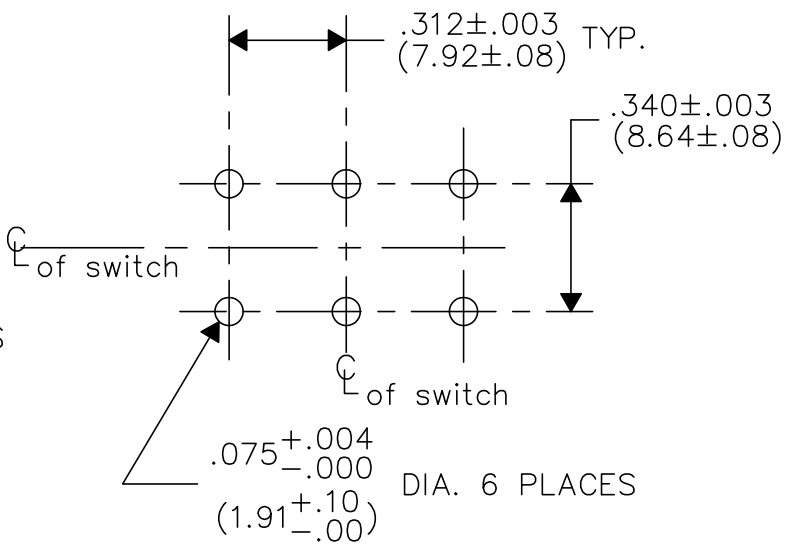


DIMENSIONS IN INCHES (MILLIMETERS)
DO NOT SCALE DRAWING

Dwg. No.
GG-350-3010



P.C. LAYOUT
"COMPONENT SIDE"



1 2 3 4 5 6 7 8 9 10

B-FORMAT 2002	REVISIONS	1	REDRAWN .312 WAS .307. DGW 3-07-2003 3-13-2003

CW INDUSTRIES Southampton, Pa. 18966	
TOLERANCES UNLESS OTHERWISE SPECIFIED	
2 Place Decimal ±.010	METRIC
3 Place Decimal ±.005	1 Place Dec. ±.25mm
Angles ±1°	2 Place Dec. ±.13mm
Made for: CW IND.	Division: SWITCH
Drawn by: DGW 3-07-2003	Dwg. No. GG-350-3010
Checked by: GG 3-13-03	
Approval: BF 3-13-3	

Title: SWITCH ASSEMBLY D.P.- D.T. (SYDEWYNDER)
Division: SWITCH
Dwg. No. GG-350-3010