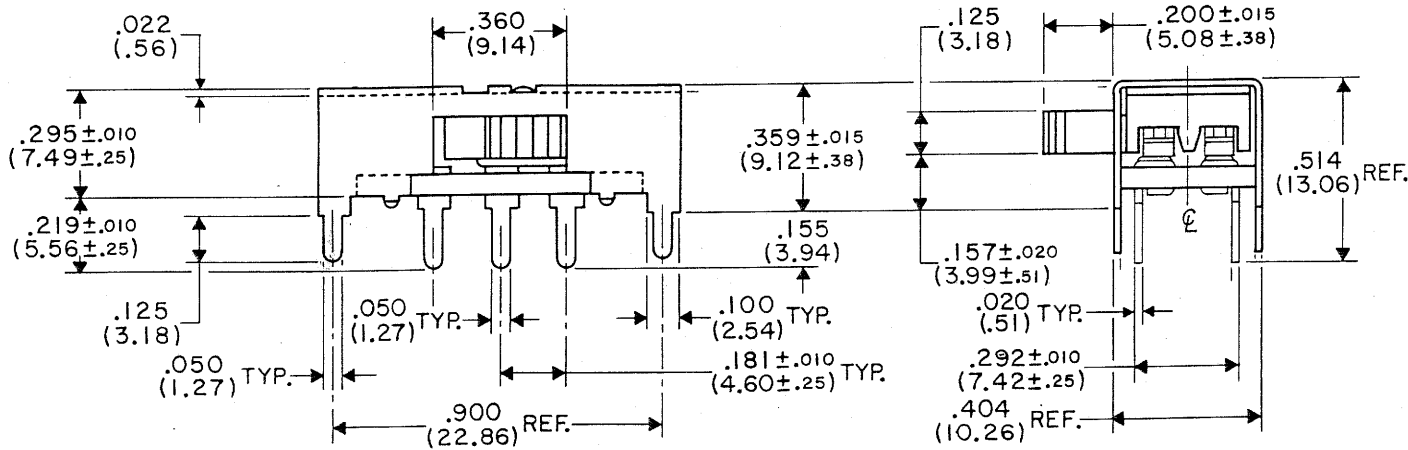
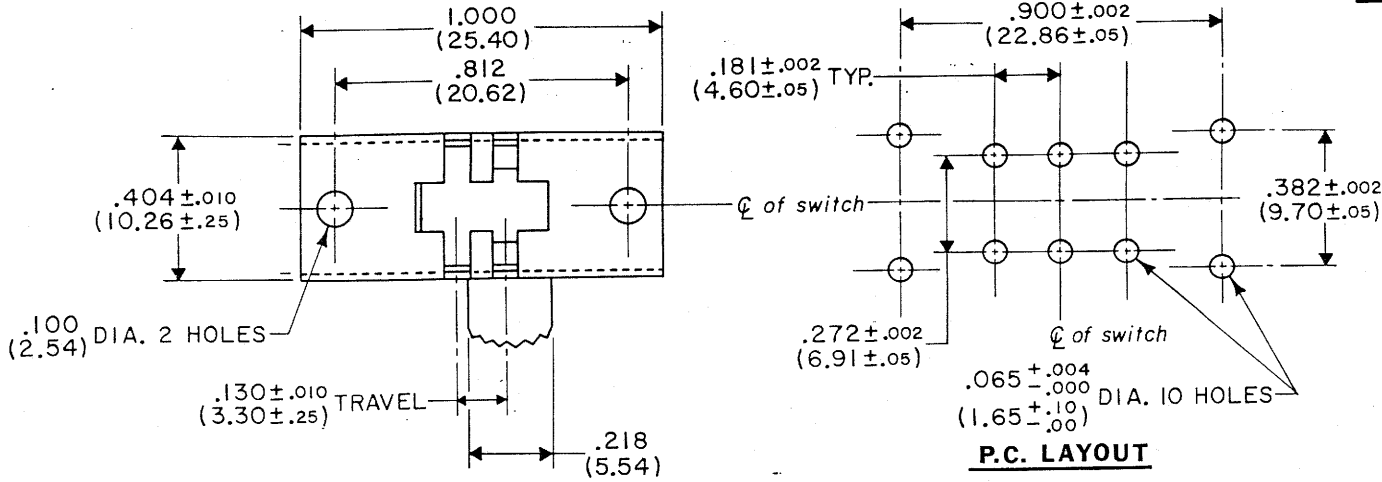


DIMENSIONS IN INCHES (METRIC-MILLIMETERS)
DO NOT SCALE DRAWING..

Drawing Number

GPI-152-3013



REVISIONS

CW INDUSTRIES
Southampton, Pa. 18966

TOLERANCES UNLESS OTHERWISE SPECIFIED
2 Place decimal ± .010 METRIC
3 Place decimal ± .005 1 Place dec. ± .25MM
Angles ± 1° 2 Place dec. ± .13MM

Made for AGEV CET-C
Drawn by GOGOLIN 11-2-83
Checker *[Signature]* 11-2-83
Eng. appr. *[Signature]* 11-2-83

**SWIDGET
ASSEMBLY
D.P.-D.T.**

Division **SWITCH**
Drawing Number
GPI-152-3013

PDF File Made