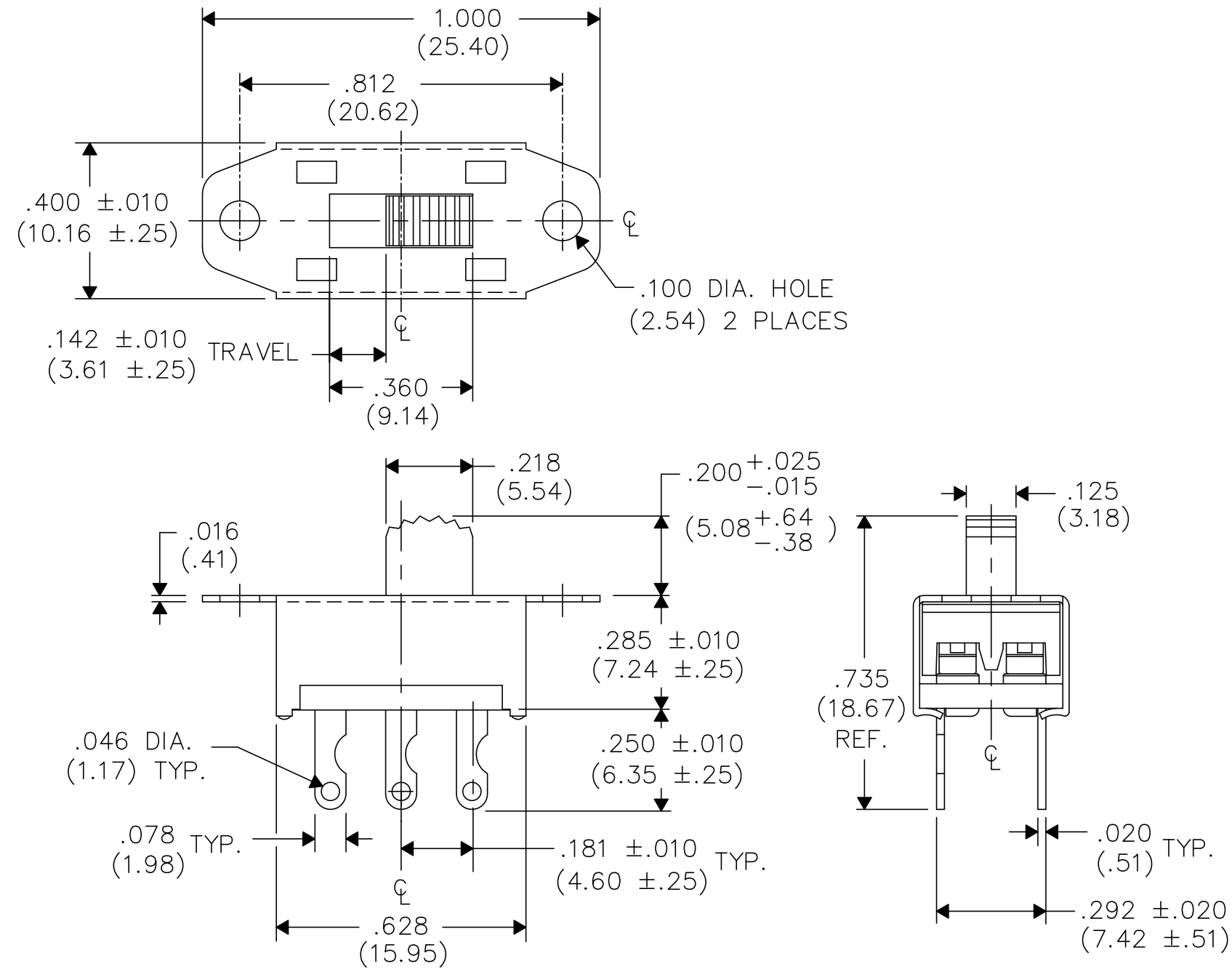


NOTE:

Dimensions in () are in millimeters.



FORM-B

REVISIONS

0

RELEASED

E.C.J. 3-13-87

MAR 18, 1987

PDF File Made

ID. No.:

CW INDUSTRIES
Southampton, Pa. 18966

TOLERANCES UNLESS OTHERWISE SPECIFIED

2 Place decimal ±.010	METRIC
3 Place decimal ±.005	1 Place dec. ±.25mm
Angles ± 1°	2 Place dec. ±.13mm

Made for: CW IND.

Drawn by: LIS JACKSON 3-13-87

Checked by: GZ

Approval: GZ

Title:

SWIDGET
ASSEMBLY
D.P.-D.T. 3

Division:

SWITCH

Dwg. No.

GF-126-3011