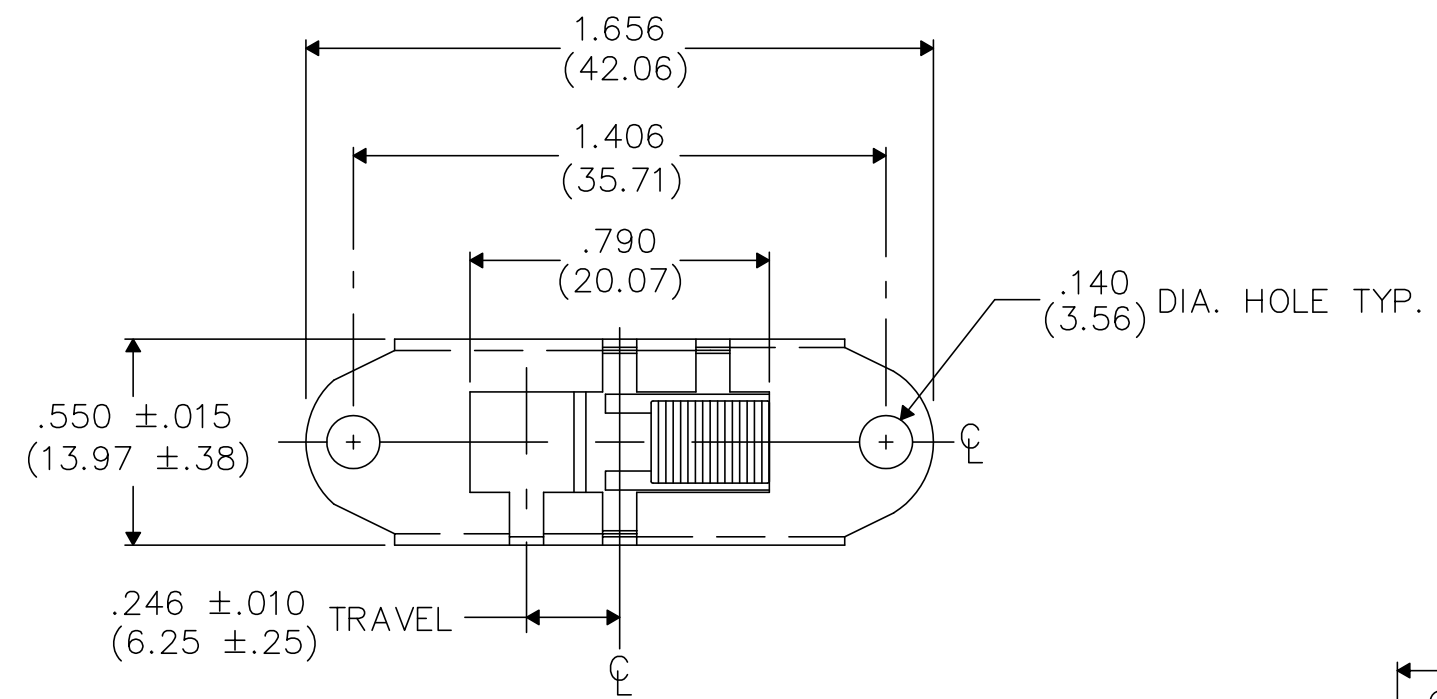
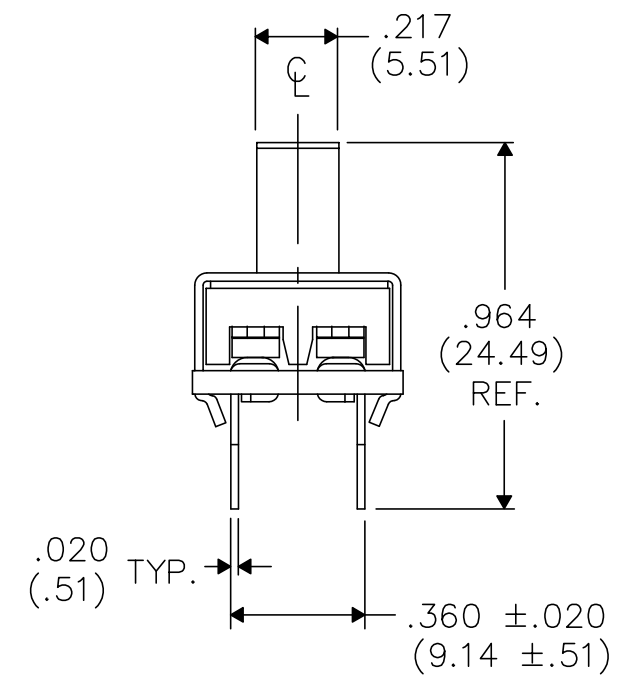
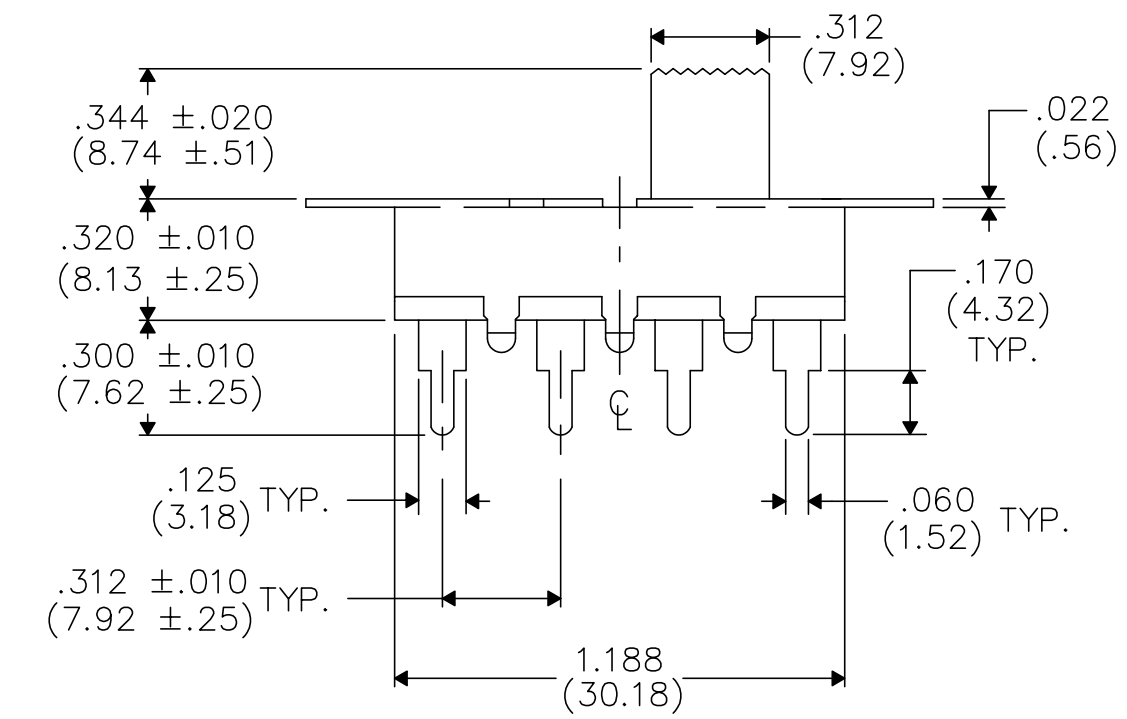
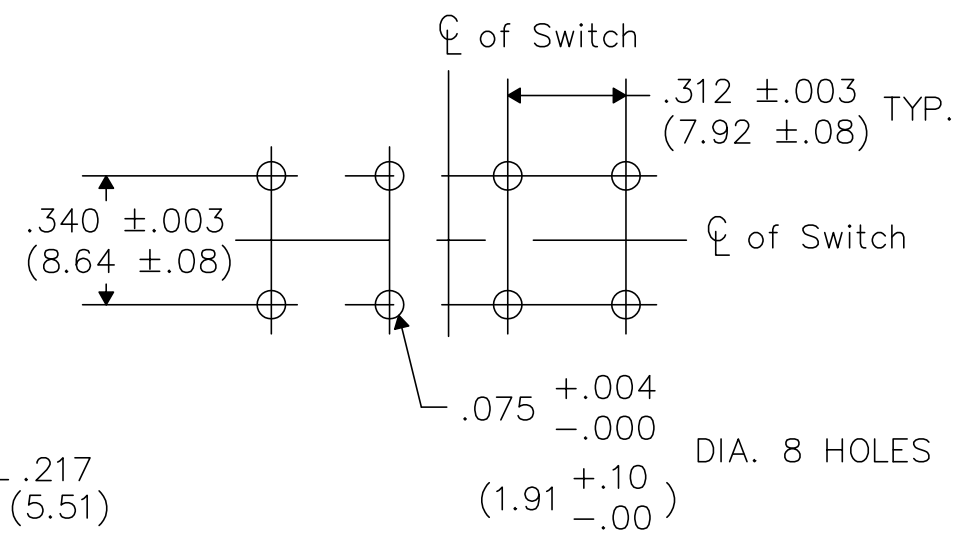


DIMENSIONS IN INCHES (MILLIMETERS)  
DO NOT SCALE DRAWING .....

Dwg. No.  
G-328S-0008



P.C. LAYOUT  
"COMPONENT SIDE"



1 2 3 4 5 6 7 8 9 10

B-FORMAT 2002

REVISIONS

1	REDRAWN PER NEW FORMAT. DGW 6-04-2003 June 04, 2003
---	---

PDF File Made

**CW INDUSTRIES**  
Southampton, Pa. 18966

TOLERANCES UNLESS OTHERWISE SPECIFIED

2 Place Decimal ±.010	METRIC
3 Place Decimal ±.005	1 Place Dec. ±.25mm
Angles ..... ±1°	2 Place Dec. ±.13mm

Made for: CW IND.  
 Drawn by: DGW 6-04-2003  
 Checked by: GG 6-4-03  
 Approval: BF 6-4-3

Title:  
SWITCH  
ASSEMBLY  
D.P. - 3 POS.

Division:  
SWITCH

Dwg. No.  
G-328S-0008