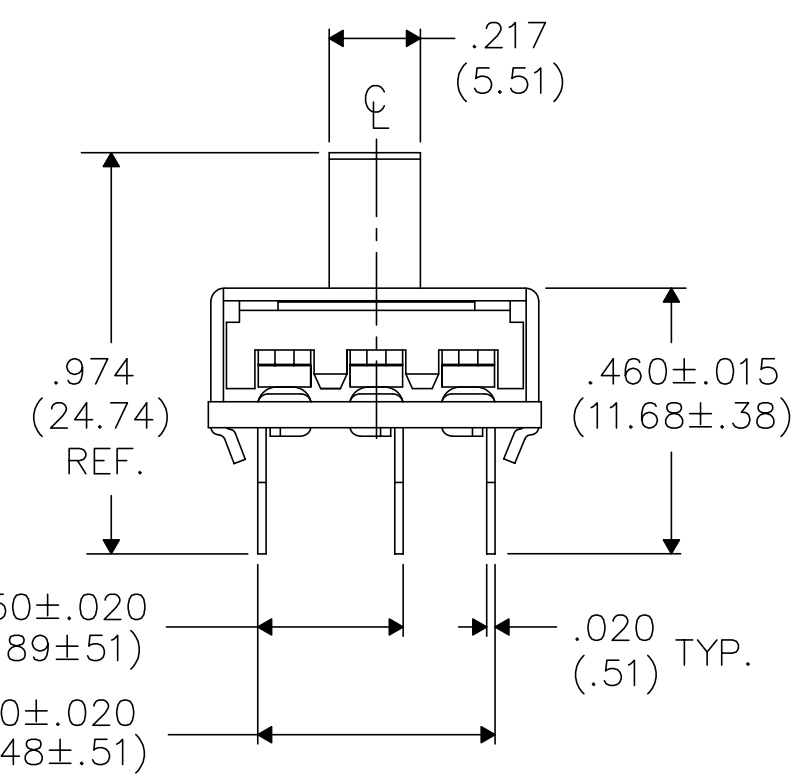
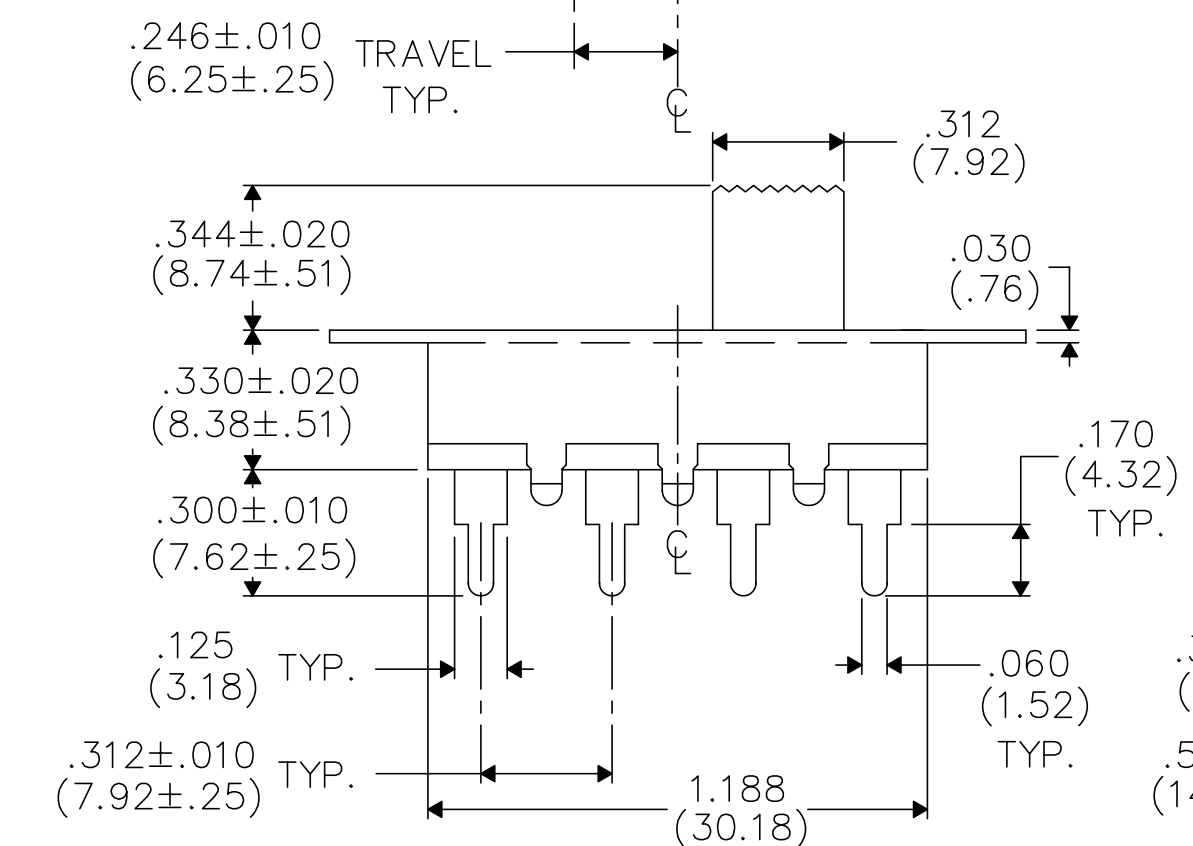
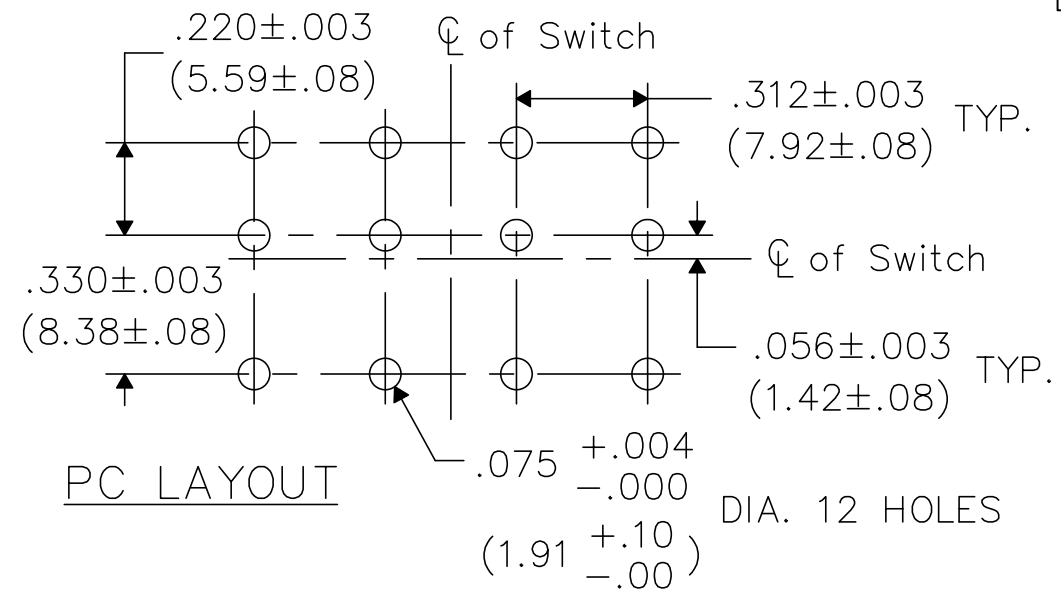
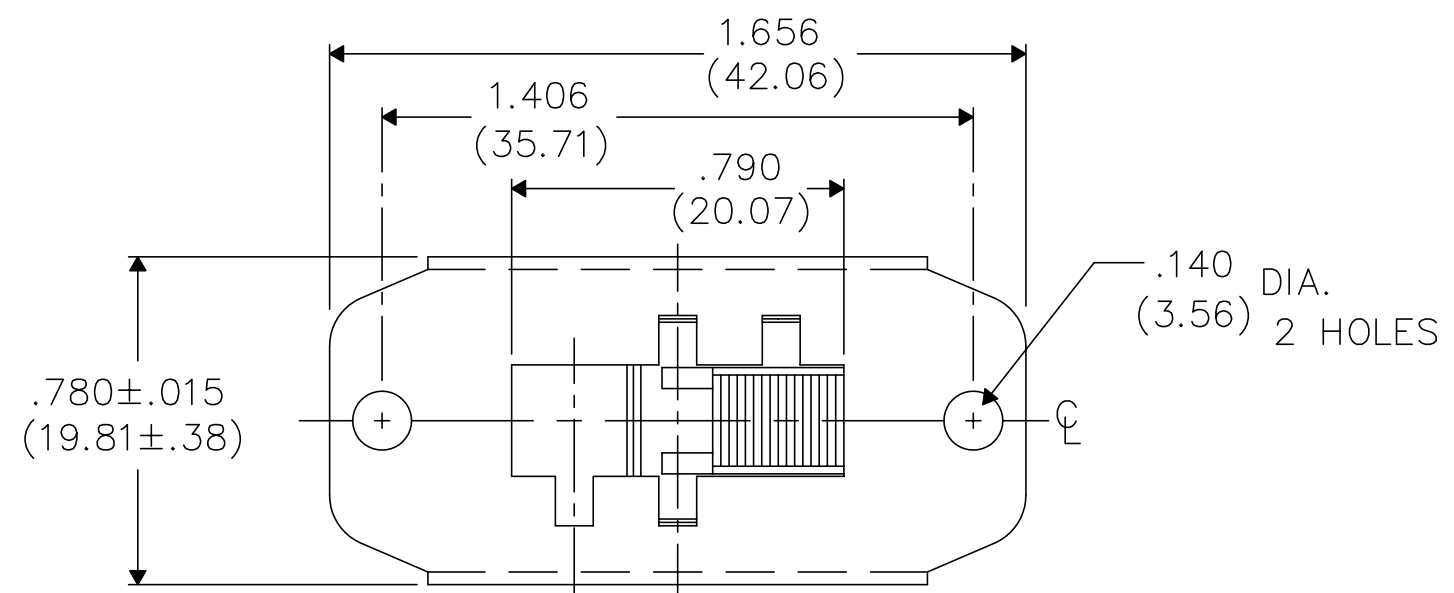


DIMENSIONS IN INCHES (MILLIMETERS)
DO NOT SCALE DRAWING

Dwg. No.
G-368S-0001



1 2 3 4 5 6 7 8 9 10

B-FORMAT 2002
REVISIONS
1
UPDATED & REDRAWN.
DGW 3-27-2003
4-08-2003

CW INDUSTRIES
Southampton, Pa. 18966
TOLERANCES UNLESS OTHERWISE SPECIFIED
2 Place Decimal ±.010 METRIC
3 Place Decimal ±.005 1 Place Dec. ±.25mm
Angles ±1' 2 Place Dec. ±.13mm
Made for: CW IND.
Drawn by: DGW 3-27-2003
Checked by: GG 4-8-03
Approval: BF 4-8-3

Title: SWIDGET ASSEMBLY 3P. 3P.
Division: SWITCH
Dwg. No. G-368S-0001