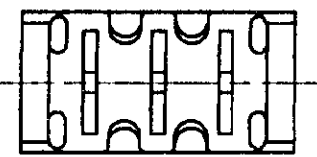
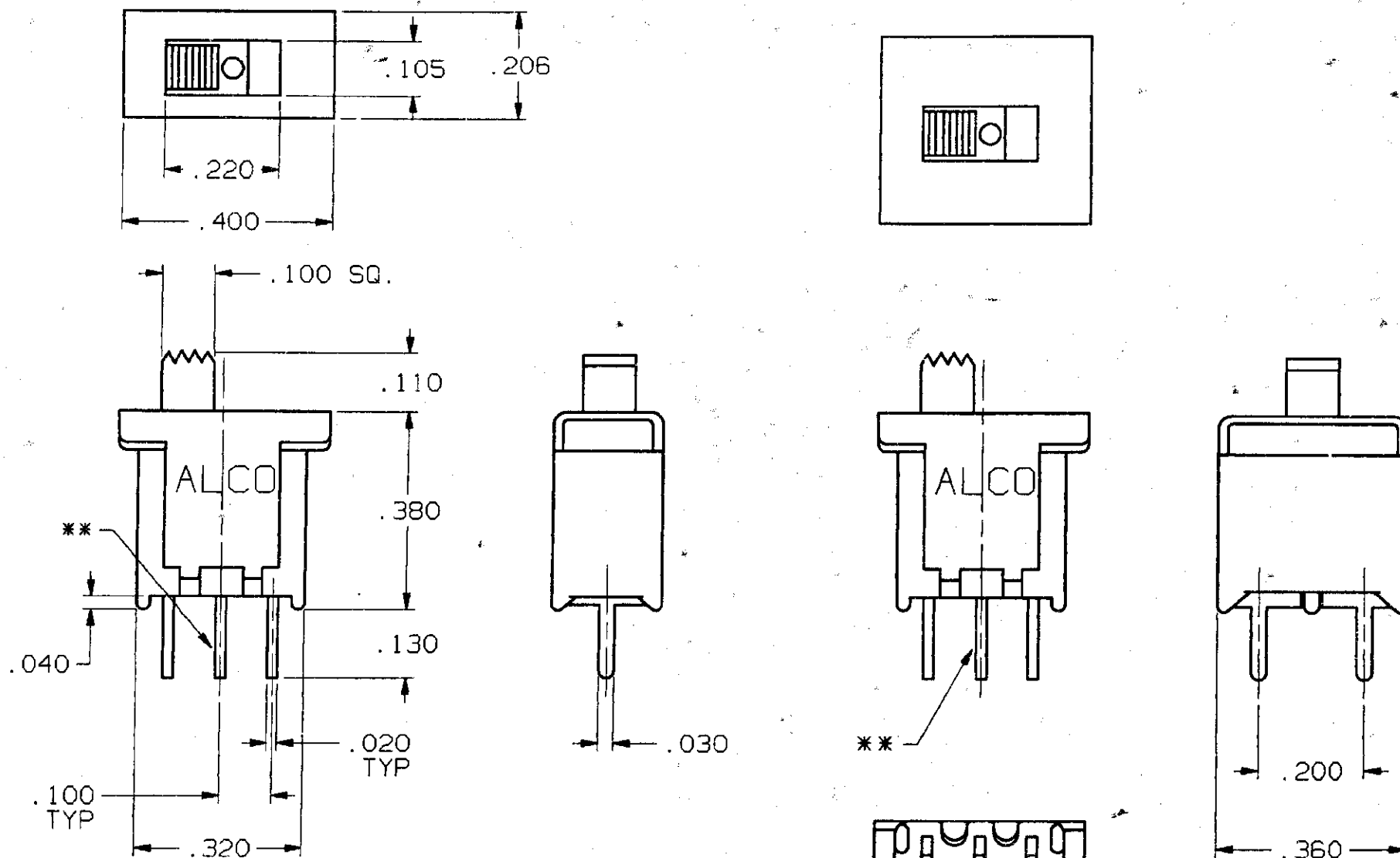
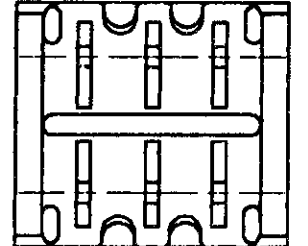


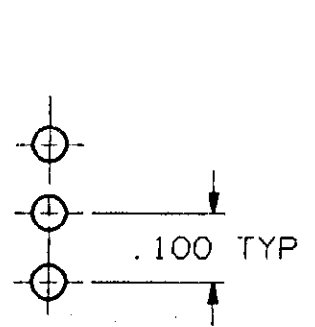
CONVERSION CHART	
INCH	MM
.010	0.25
.020	0.51
.030	0.76
.040	1.01
.043	1.09
.100	2.54
.105	2.67
.110	2.79
.130	3.30
.200	5.08
.206	5.23
.220	5.59
.320	8.13
.360	9.14
.380	9.65
.400	10.16



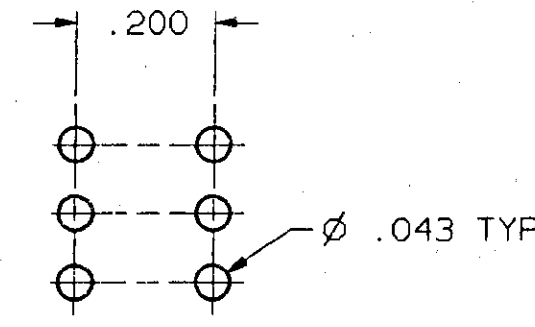
SP



DP



SP PC PANEL CUTOUT



DP PC PANEL CUTOUT

PCB LAYOUT TOLERANCE ±.002 ON ALL DIMENSIONS.

4 SPECIFICATIONS:

**MATERIALS:**  
CASE: HIGH TEMPERATURE POLYESTER, 94V-0.  
ACTUATOR: POLYESTER, 94V-0.  
MOVING CONTACT: COPPER ALLOY, GOLD PLATE OVER NICKEL.  
FIXED CONTACT/TERMINAL: COPPER ALLOY, GOLD PLATE OVER NICKEL.

**ELECTRICAL:**  
CONTACT RATING: 0.4 VA MAX. @ 20 VDC OR PEAK AC.  
INITIAL CONTACT RESISTANCE: 20 MILLIOHMS MAX. @ 100 MV & 1 MA.  
INSULATION RESISTANCE: 1,000 MΩ MIN. AT 500 VDC.  
DIELECTRIC STRENGTH: 1000 VOLTS RMS AT SEA LEVEL.  
LIFE: 60,000 - 80,000 CYCLES.

**MECHANICAL (EG OPTION ONLY):**  
ACTUATION FORCE:  
LEFT TO CENTER & RIGHT TO CENTER: 160 TO 665 GRAMS WITH AN AVERAGE OF 412 GRAMS WHILE UTILIZING A 3 SIGMA VARIATION.  
CENTER TO RIGHT & CENTER TO LEFT: 170 TO 685 GRAMS WITH AN AVERAGE OF 428 GRAMS WHILE UTILIZING A 3 SIGMA VARIATION.

**ENVIRONMENTAL:**  
OPERATING TEMPERATURE: -4°F TO +176°F (-20°C TO +80°C).  
STORAGE TEMPERATURE: -4°F TO +176°F (-20°C TO +80°C).

NOTES:

1. INTERPRET DRAWING PER ASME Y14.5M-1994.

SWITCH ACTION CODE			
*	123 456	123 456	123 456
A	ON 1-3	NONE	OFF
D	ON 1-2	NONE	ON 2-3
E	ON 1-2	OFF	ON 2-3
K	ON 1-3 4-6	NONE	OFF
N	ON 1-2 4-5	NONE	ON 2-3 5-6
P	ON 1-2 4-5	OFF	ON 2-3 5-6

\*\* CENTER TERMINAL NOT FURNISHED WITH A & K ACTION CODES.

AUGAT D/N 40149

THIS IS A C.A.D. GENERATED DRAWING. DO NOT MAKE MANUAL REVISIONS TO MASTER.

SPECIFICATIONS ARE SUBJECT TO CHANGES WITHOUT NOTICE

THIRD ANGLE PROJECTION TOLERANCES (EXCEPT AS NOTED) ANGULAR = ±1° DECIMAL .XX = ±.010 DECIMAL .XXX = ±.010 DECIMAL .XXXX = ±.010	UNLESS OTHERWISE SPECIFIED DIMENSIONS ARE IN INCHES DO NOT SCALE PRINT	ORIGINAL DATE OF DRAWING: 4-1-88	<b>TYCO ELECTRONICS</b> TITLE: CUSTOMER DRAWING SLIDE SWITCH TSS11*GPC & TSS21*GPC DWG. NO. <b>1437579-8</b> REV. <b>A</b> PRODUCT CODE: C51 SCALE: 4:1 SHEET 1 OF 1
	MATERIAL: SEE SPECIFICATIONS	DRAWN: C.M.M. DATE: 4-1-88	
AUGAT CONFIDENTIAL This document contains information which is the exclusive property of Augat Inc. Distribution, reproduction or use by others is not permitted without the expressed written consent of Augat Inc.	FINISH: SEE SPECIFICATIONS	APPROVED: T. SHEK DATE: 4-1-88	
		CODE IDENT. NO. *91506 DWG. SIZE C	
		NEXT ASSY:	

REV	A
REVISIONS	063C-0173-02