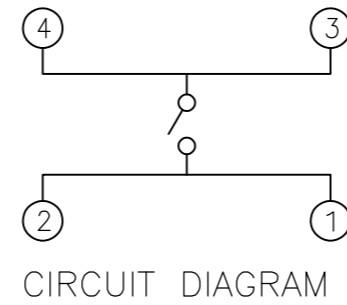
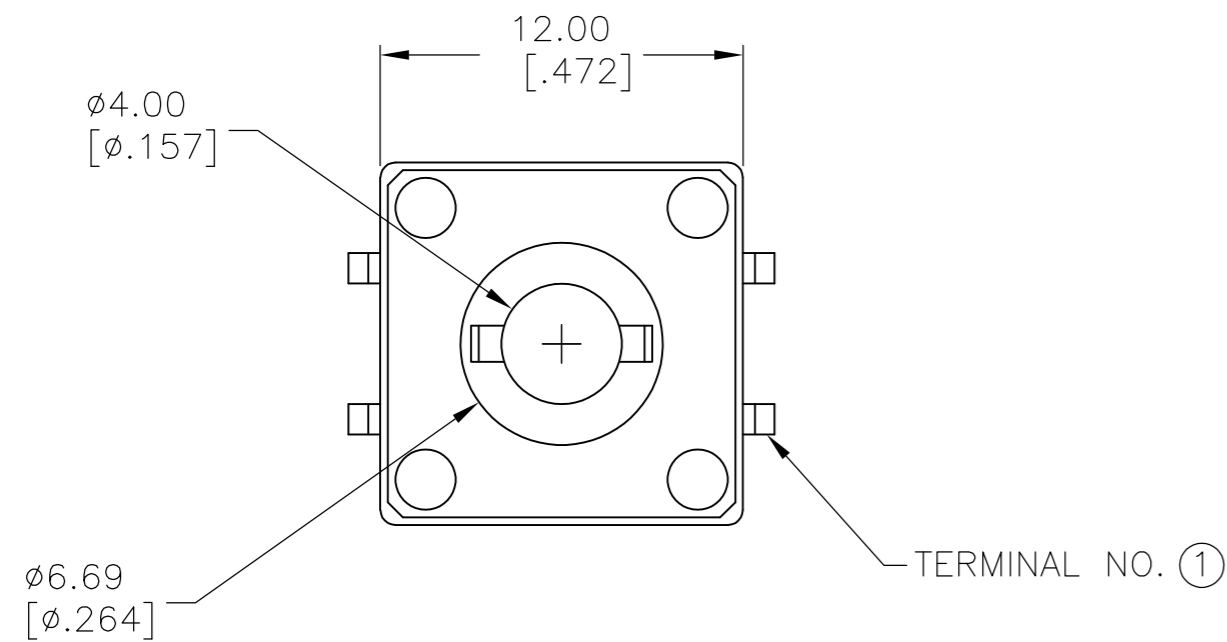


THIS DRAWING IS UNPUBLISHED. RELEASED FOR PUBLICATION  
 © COPYRIGHT BY TYCO ELECTRONICS CORPORATION. ALL RIGHTS RESERVED.

LOC		DIST		REVISIONS			
P	LTR	DESCRIPTION		DATE	DWN	APVD	
AD	OO	E	ECO-07-00908	02JUL07	MB	MS	



NOTE: TERMINAL NUMBERS ARE FOR REFERENCE ONLY AND DO NOT APPEAR ON SWITCHES.

SPECIFICATIONS:

MATERIALS:

CASE: PBT 30% GF UL94HB, BLACK.  
 COVER: PET FILM WHITE.  
 ACTUATOR BUTTON: ACETAL SEE P/N TABLE.  
 MOVING CONTACT: COPPER ALLOY, SILVER FINISH.  
 FIXED CONTACT/TERMINAL: COPPER ALLOY, SILVER/NICKEL FINISH

ELECTRICAL:

MAX CONTACT RATING: 50MILLIAMPS@24V DC  
 MIN CONTACT RATING: 10MICROAMPS@1V DC  
 CONTACT RESISTANCE: 100 MILLIOHMS MAX.  
 INSULATION RESISTANCE: 100 MEGOHMS MIN. @ 100 VDC.  
 DIELECTRIC STRENGTH: 500 VAC 50/60 Hz FOR 1 MINUTE.  
 LIFE EXPECTANCY: 100,000 CYCLES MIN.

MECHANICAL:

ACTUATION FORCE: SEE TABLE.  
 ACTUATION TRAVEL: .012 in. (0.3 mm) APPROX.

ENVIRONMENTAL:

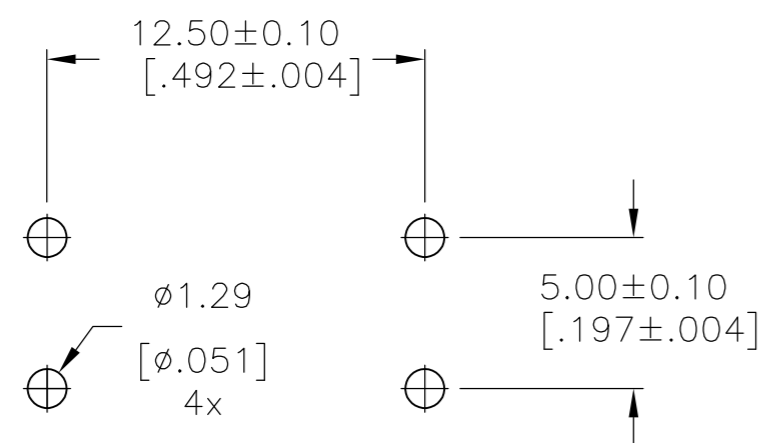
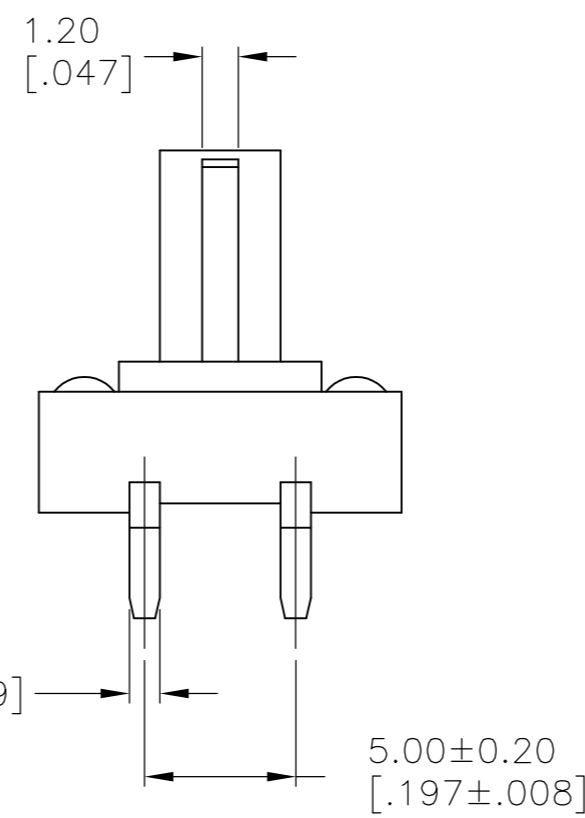
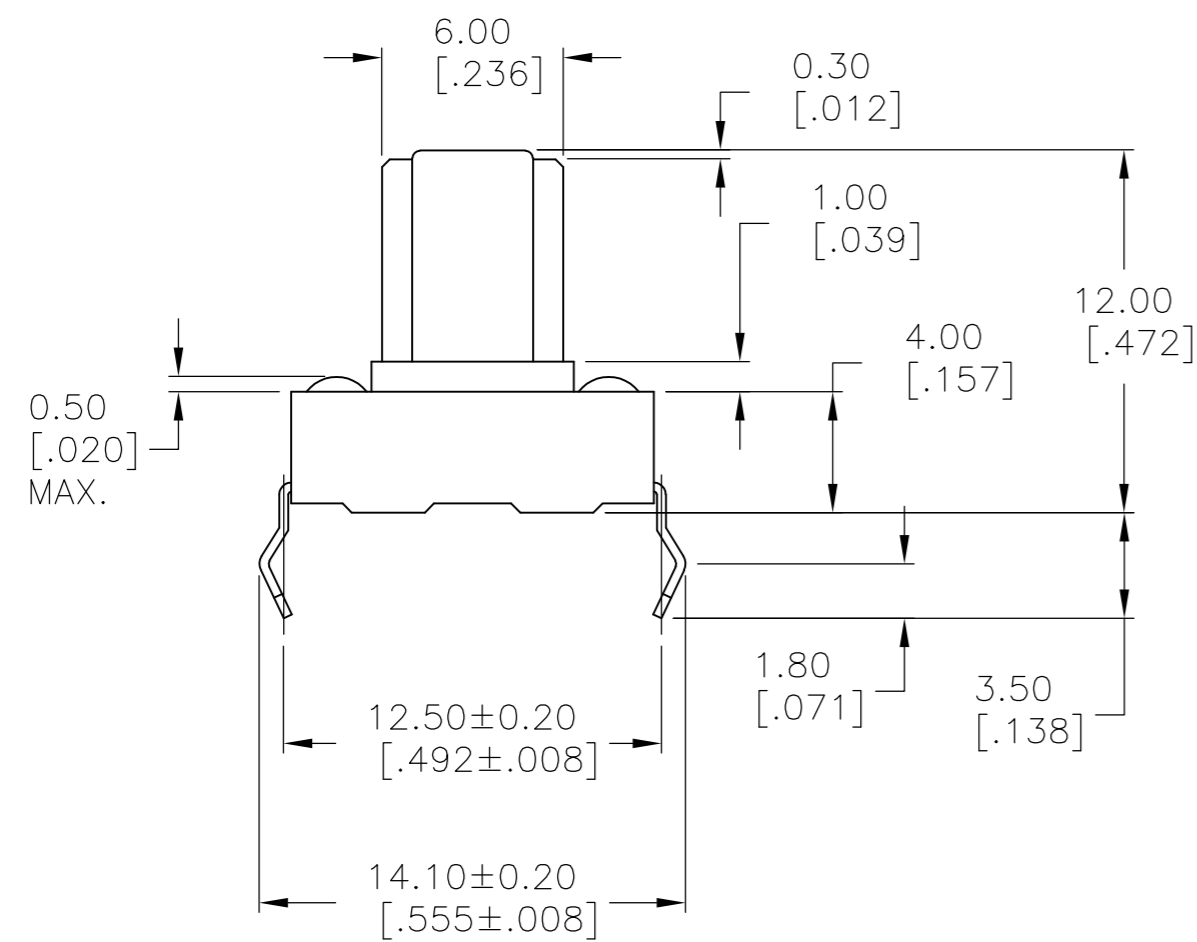
OPERATING TEMPERATURE: -35°C TO +85°C.  
 STORAGE TEMPERATURE: -35°C TO +85°C.  
 SOLDER HEAT RESISTANCE, 240°C FOR 10 SEC PER 109-202 CONDITION A.

SOLDERABILITY:

SPECIFICATION EIA-364-52, CLASS 1, CATEGORY 2

NOTES:

1. ALL MATERIALS & FINISHES SHALL COMPLY WITH EU DIRECTIVE 2002/95/EC OF 27JAN2003 (ROHS)



RECOMMENDED HOLE LAYOUT  
 TOLERANCE ±.002 UNLESS OTHERWISE NOTED

ACTUATOR FORCE	ACTUATOR BUTTON COLOR	TYCO PART NUMBER
160±50gf	BLACK	1437565-4
260±50gf	RED	1571061-1

THIS DRAWING IS A CONTROLLED DOCUMENT.		DWN S.KIRCORIAN 31AUG96	Tyco Electronics Corporation Harrisburg, PA 17105-3608	
DIMENSIONS: mm [INCHES]		CHK -	NAME -	
TOLERANCES UNLESS OTHERWISE SPECIFIED:		APVD -	PRODUCT SPEC -	
0 PLC ± -	1 PLC ± -	APPLICATION SPEC -	SIZE CAGE CODE DRAWING NO RESTRICTED TO	
2 PLC ± 0.30[0.012]	3 PLC ± -	WEIGHT -	A2 00779 C=1437565-4	-
4 PLC ± -	ANGLES ± 1°	CUSTOMER DRAWING	SCALE 4:1	SHEET 1 OF 1
MATERIAL SEE SPECIFICATIONS	FINISH SEE SPECIFICATIONS	REV E		

1437565-4