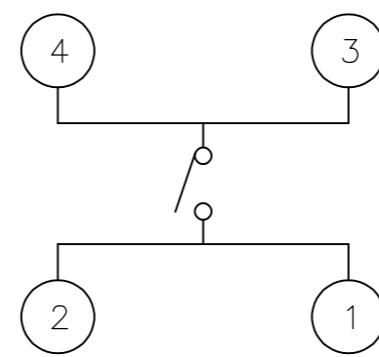
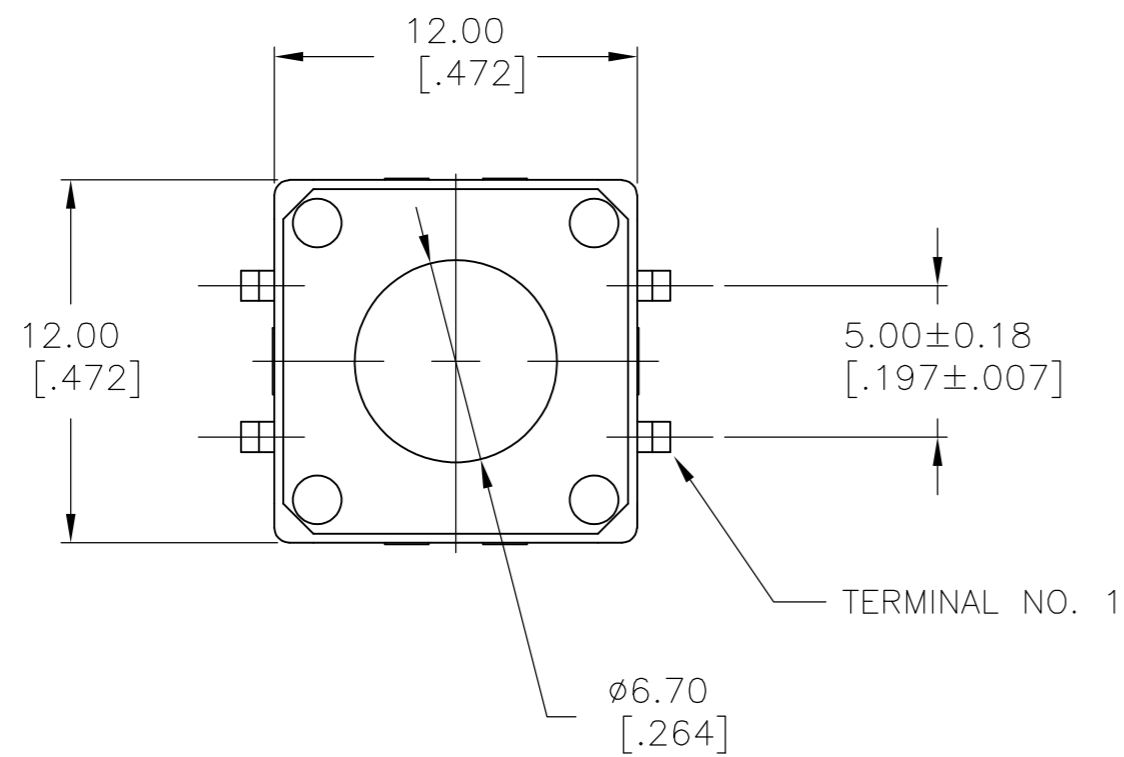


THIS DRAWING IS UNPUBLISHED. RELEASED FOR PUBLICATION 1437565-2, 1437565-2  
 © COPYRIGHT 1437565-2 BY TYCO ELECTRONICS CORPORATION. ALL RIGHTS RESERVED.

LOC	DIST	REVISIONS					
		P	LTR	DESCRIPTION	DATE	DWN	APVD
AD	00		D3	ECO-07-000908	02JUL07	MB	MS



CIRCUIT DIAGRAM

TERMINAL NUMBERS ARE FOR REFERENCE ONLY AND DO NOT APPEAR ON SWITCHES

SPECIFICATIONS

MATERIALS

CASE: POLYESTER, BLACK  
 COVER: POLYESTER  
 ACTUATOR BUTTON: ACETAL, COLOR-SEE TABLE  
 MOVING CONTACT: COPPER ALLOY, SILVER CLAD  
 FIXED CONTACT/TERMINAL: COPPER ALLOY, SILVER PLATED

ELECTRICAL

MAX CONTACT RATING: 50MILLIAMPS@24V DC  
 MIN CONTACT RATING: 10MICROAMPS@1V DC  
 CONTACT RESISTANCE: 100 MILLIOHMS MAX  
 INSULATION RESISTANCE: 100 MEGOHMS MIN @ 100VDC  
 DIELECTRIC STRENGTH: 500 VAC 50/60 Hz FOR 1 MINUTE  
 LIFE EXPECTANCY: 100,000 CYCLES MIN.

MECHANICAL

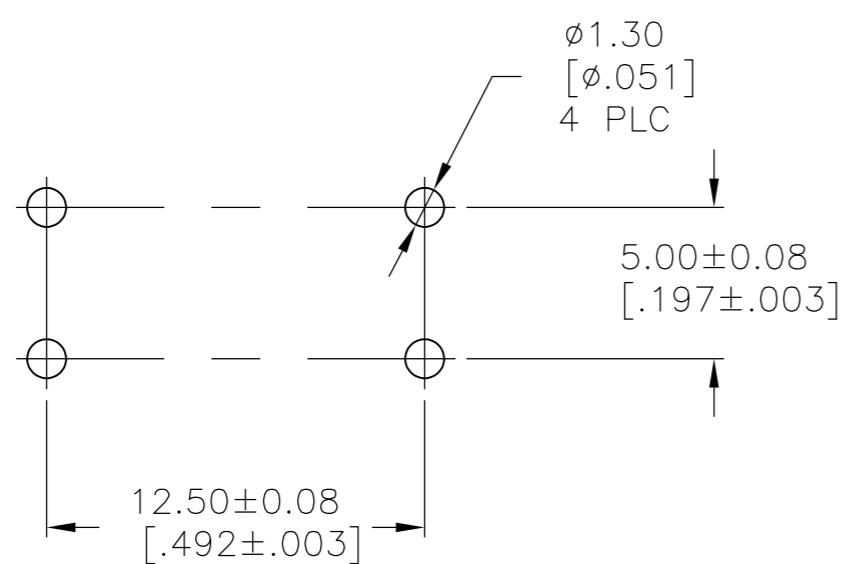
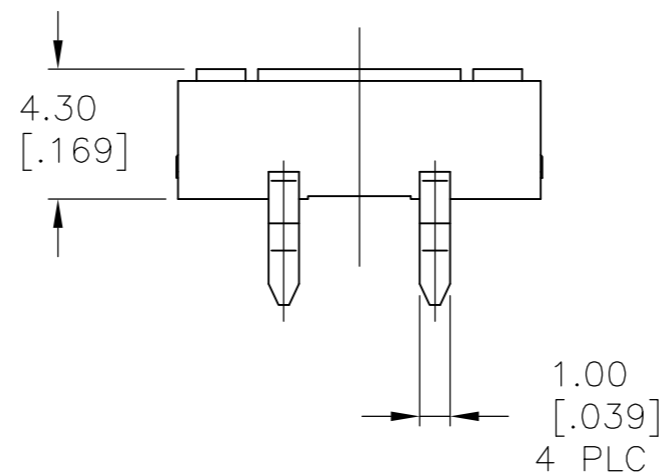
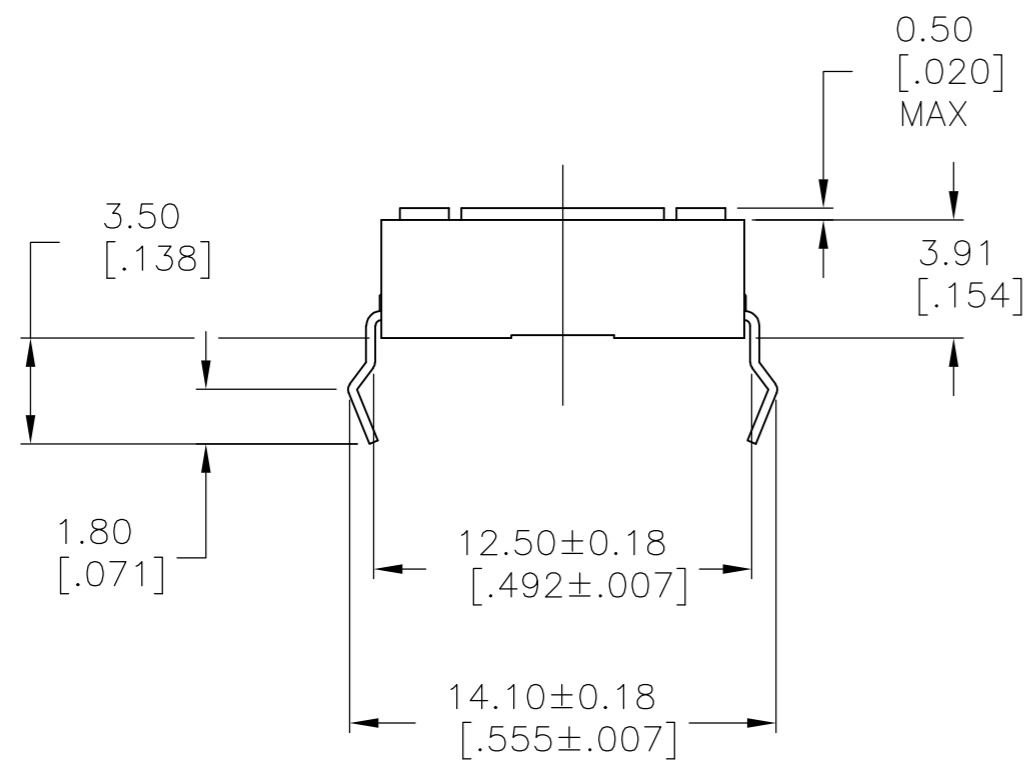
ACTUATOR OPERATING FORCE: SEE TABLE  
 ACTUATOR TRAVEL: 0.30[0.012] APPROX.

ENVIRONMENTAL

OPERATING TEMPERATURE: -35°C to +85°C  
 STORAGE TEMPERATURE: -35°C to +85°C  
 RESISTANCE TO SOLDER HEAT PER 109-202, COND B-265\* FOR 10 SECONDS

SOLDERABILITY:

SPECIFICATION EIA-364-52, CLASS 1, CATEGORY 2



PC BOARD LAYOUT

BLACK	160±30GF	FSM100	1437565-2
RED	260±50GF	FSM100A	1571139-1
ACTUATOR COLOR	OPERATING FORCE	T&B PART NUMBER	TYCO PART NUMBER

THIS DRAWING IS A CONTROLLED DOCUMENT.		DWN R BROWN 03APR02	Tyco Electronics Corporation Harrisburg, Pa 17105-3608	
DIMENSIONS: mm [INCHES]		CHK H WYNKOOP 03APR02	NAME SWITCH, FSM100 PUSHBUTTON	
TOLERANCES UNLESS OTHERWISE SPECIFIED:		APVD H WYNKOOP 03APR02	SIZE A2 CAGE CODE 00779 DRAWING NO C=1437565-2 RESTRICTED TO	
0 PLC ± -		PRODUCT SPEC	SCALE 4:1 SHEET 1 OF 1 REV D3	
1 PLC ± -		APPLICATION SPEC		
2 PLC ± 0.30[0.012]		WEIGHT -		
3 PLC ± -		CUSTOMER DRAWING		
4 PLC ± -				
ANGLES ± -				
FINISH -				