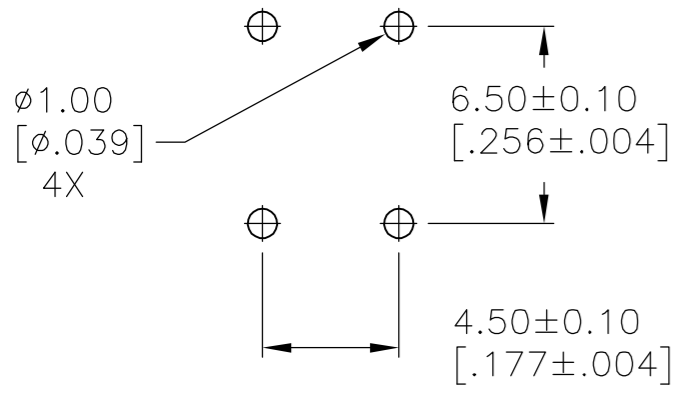
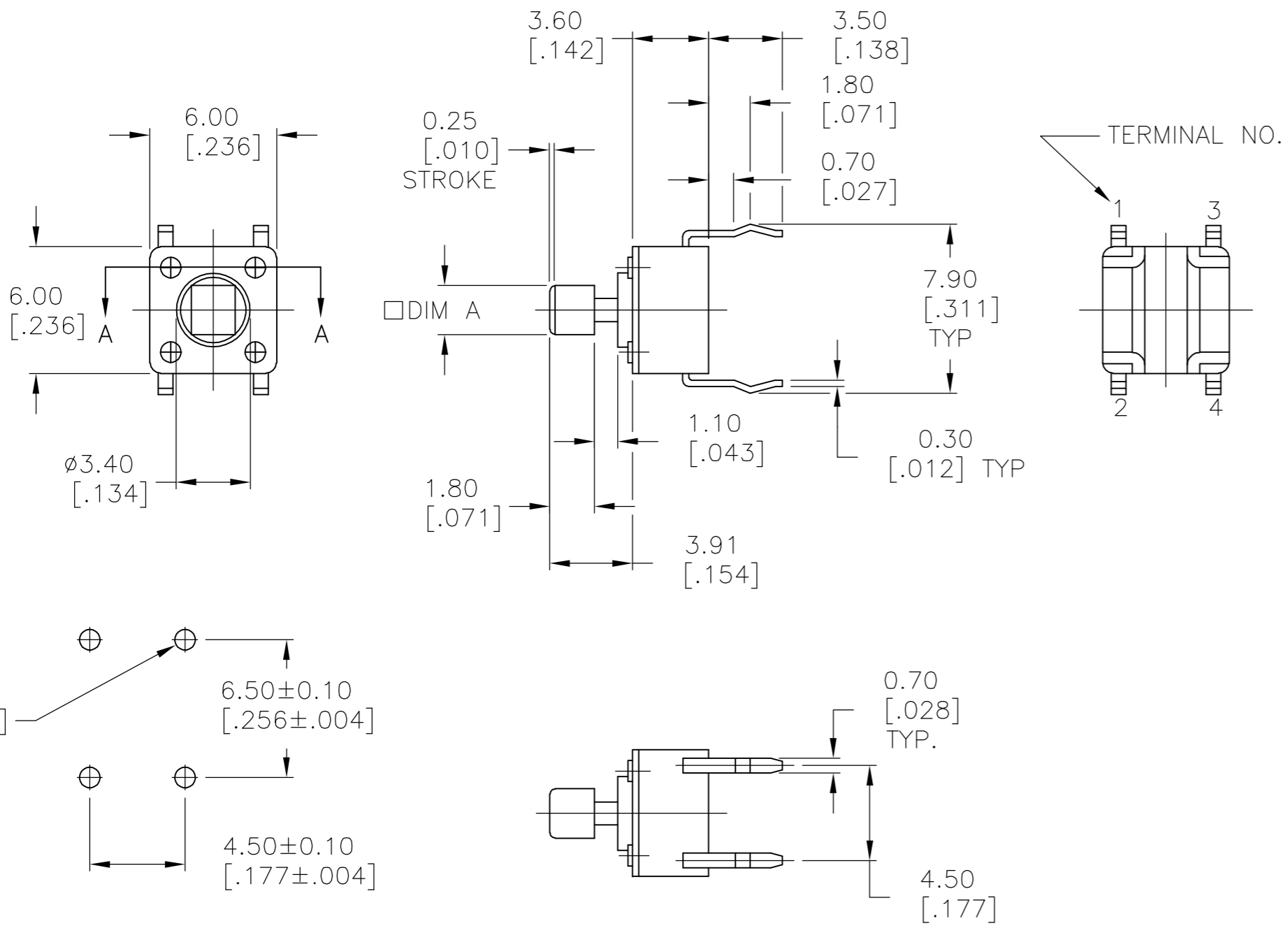


THIS DRAWING IS UNPUBLISHED. RELEASED FOR PUBLICATION  
 © COPYRIGHT BY TYCO ELECTRONICS CORPORATION. ALL RIGHTS RESERVED.

LOC		DIST		REVISIONS			
P	LTR	DESCRIPTION		DATE	DWN	APVD	
A		ECO-07-001263		13FEB2007	RB	MS	



**SPECIFICATIONS:**

**Materials:**  
 Case, Nylon 66, UL94HB, Black finish  
 Cover, Stainless Steel  
 Actuator, Nylon 66, UL94HB, see P/N table for finish  
 Moving contact, Copper Alloy, Silver finish  
 Fixed contact/Terminal, Copper Alloy, Silver over Nickel finish

**Electrical:**  
 Max Contact Rating, 50mA@ 24V DC, Per EIA-448, Method 6  
 Min Contact Rating, 10microamp@1V DC  
 Initial Contact resistance, 50 milliohms max, Per EIA-364-23B, each position  
 Insulation Resistance, 1000 Megohm min. Per EIA-364-21C each position  
 Dielectric strength, 500 V AC for 1 minute, Per EIA-364-20B, Condition 1, each position.  
 Life Expectancy, 100,000 cycles

**Mechanical:**  
 Actuation force, SEE P/N TABLE  
 Actuation Travel, .25 +/- .10 mm  
 Life Expectancy, 100,000 cycles min (2 cycles per second and 150% actuation force), Per EIA-448 Methods 8 and 9  
 Vibration, Per EIA 364-28D, Condition VII, Level E  
 Mechanical Shock, Per EIA-364-27C, Condition A

**Environmental:**  
 Operating Temperature, -35 to +85 degrees C, Per EIA-448, Method 10  
 Storage Temperature, -35 to +85 degrees C  
 Humidity and Temperature Cycling Per EIA-364-31B, Method III  
 Thermal Shock, Per EIA-364-32C, -35 to +85 degrees C  
 Solderability, Per EIA-364-52, Class 2, Category 1, Temp, 245 degrees C max, Time, 2.5 seconds max, 95% Minimum coverage  
 Resistance to Solder Heat, Per 109-202, Condition B  
 No change in initial electrical and mechanical characteristics

**NOTES:**

- ALL MATERIALS AND FINISHES SHALL COMPLY WITH EU DIRECTIVE 2002/95/EC OF 27JAN2003(ROHS).

( )-INDICATES MOMENTARY POSITION		
CIRCUIT CHARACTERISTICS		
CONTACT POSITION		CIRCUIT DIAGRAM
OFF	(ON)	1-3, 2-4
		2, 3, 4

BLACK	160±50 GF	2.80 [.110]	FSMCDAH	1825967-2
BLUE	160±50 GF	2.42 [.095]	FSMCDH	1825967-1
ACTUATOR BUTTON COLOR	ACTUATION FORCE	DIM A	ALCO PART NO.	TYCO PART NO.

THIS DRAWING IS A CONTROLLED DOCUMENT.		DWN	13FEB2007	Tyco Electronics Corporation	
DIMENSIONS: mm [INCHES]		CHK <td>M SARVER <td colspan="2">Harrisburg, PA 17105-3608</td> </td>	M SARVER <td colspan="2">Harrisburg, PA 17105-3608</td>	Harrisburg, PA 17105-3608	
TOLERANCES UNLESS OTHERWISE SPECIFIED:		APVD <td>M SARVER <td colspan="2">NAME</td> </td>	M SARVER <td colspan="2">NAME</td>	NAME	
0 PLC	± -	PRODUCT SPEC	ACT SWITCH, SQUARE ACTUATOR, 6.0 mm, HIGH TEMP FSMCDH		
1 PLC	± -	APPLICATION SPEC	-		
2 PLC	± 0.30[.012]	WEIGHT	-		
3 PLC	± -	CUSTOMER DRAWING	-		
4 PLC	± -	SCALE	4:1		
ANGLES	± -	SHEET	1 of 1		
FINISH	-	REV	A		