

**BOURNS®**

**Features**

- Single pole/single throw
- Compatible with surface mount reflow processes
- Tape and reel packaged
- 1mm profile height available
- Low level signal switch

**Applications**

- Electronic toys
- Personal alerts
- Remote locks
- Panel meters

**7916 SMD 6mm Square Key Switch**

**Electrical Characteristics**

Contact Rating  
 Maximum.....20mA 15 VDC  
 Minimum.....10  $\mu$ A 2 VDC  
 Contact Resistance  
 .....100 milliohms max.  
 Insulation Resistance  
 .....50 megohms min. (DC100V)  
 Dielectric Strength .....250 VAC  
 Contact Bounce .....3ms max. (on)  
 .....10ms max. (off)

**General Characteristics**

Switch Type .....(N.O.) SPST  
 Operating Temperature Range  
 .....-20°C to +70°C  
 Storage Temperature Range  
 .....-40°C to +85°C

**Mechanical Characteristics**

Push Stroke .....0.25mm  $\pm$ 0.1  
 Actuation Force .....160  $\pm$ 50 gf  
 Operating Life .....100,000 Actuators

**How to Order**

**7916 X - 1 - 000 E**

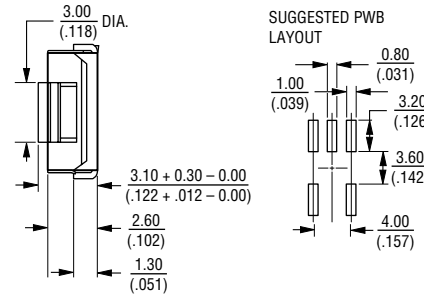
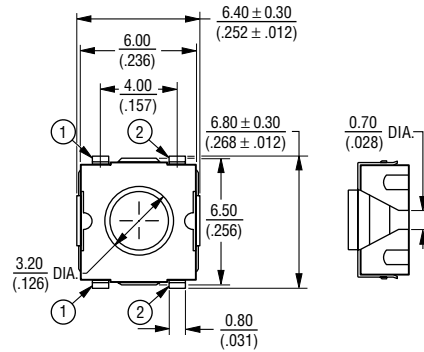
Model \_\_\_\_\_  
 Terminal \_\_\_\_\_  
 Switch Type \_\_\_\_\_  
 1 = Std. (N.O.)  
 Option \_\_\_\_\_  
 Embossed Tape Designator \_\_\_\_\_  
 E = 370mm Reel (Standard)  
 7916X-1 = 2000 pcs./Reel

DIMENSIONS ARE: METRIC / (INCHES)

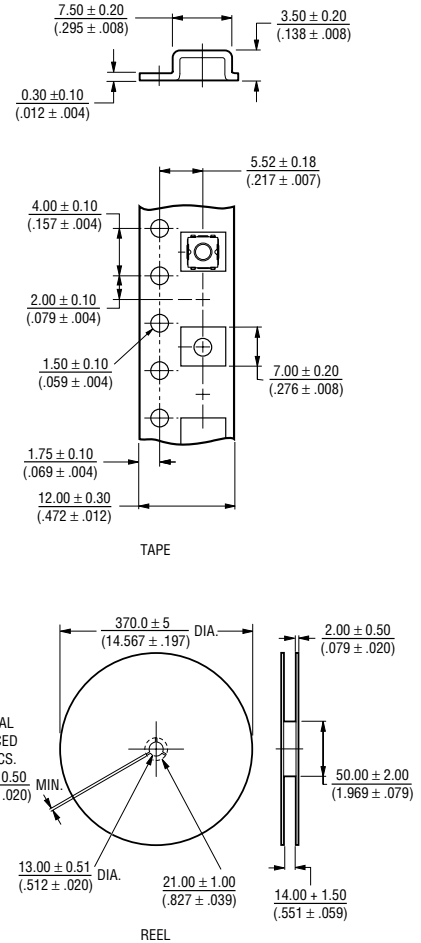
TOLERANCES:  $\pm$ .2 EXCEPT WHERE NOTED.

**Product Dimensions**

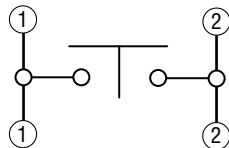
**7916X-1 (WITH GROUND LUG)**



**Packaging Specifications**



Meets EIA specification 481.



PUSH ON