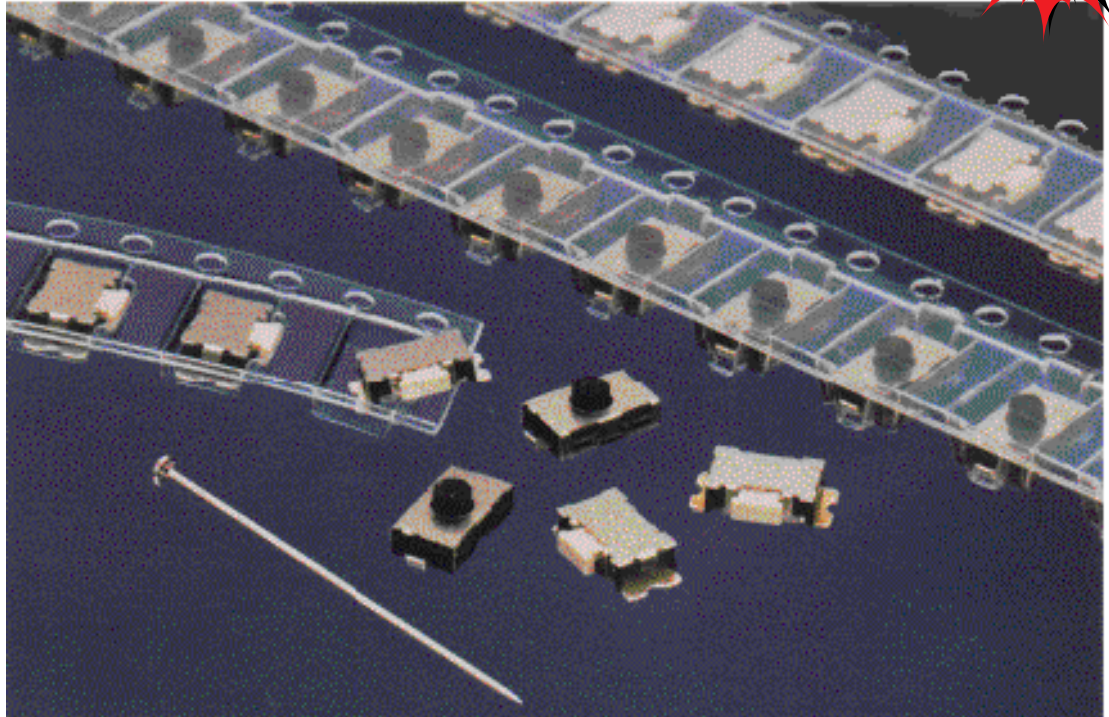


C&K *KN Series* *Ultra-Miniature Tactile Switch*



*The ideal switch
when height is
critical and space
is limited.*



C&K's new surface mount *KN Series Ultra-Miniature Tactile Switch* features a low profile, compact size that is ideal for applications where height is critical and space is limited. This tactile switch is a reliable, cost-effective solution for your most difficult design problems. Available with side or top actuation, the KN Series has all the features you're looking for including:

Features

- **Low profile, compact size**
- **SPST momentary function**
- **Positive tactile feedback**
- **Actuation forces from 120g to 450g**
- **Mechanical & electrical life from 100k to 200k cycles**
- **Tape and reel packaging**

Typical Applications

- **Cellular phones**
- **Pagers**
- **Small portable electronic equipment**
- **Medical instrumentation**
- **2-way radios**
- **Data collection equipment**

C&K's *KN Series Ultra-Miniature Tactile Switch* complements the most complete line of tactile switches in the industry. For consistent quality and on-time delivery in both standard and custom switch designs, call today!

Tel: (800) 635-5936
Fax: (617) 926-6846
Web Site: www.ckcorp.com

C&K® C&K Components, Inc.
57 Stanley Avenue
Watertown, MA 02172-4802
The Primary Source Worldwide...®

KN Series Ultra-Miniature Tactile Switch

Top Actuated Models (KN11)

SPECIFICATIONS

FUNCTION: Momentary.

CONTACT TYPE: Normally open.

TERMINATIONS:

KN01: Surface mount, right angle.

KN11: Surface mount, gull wing.

CONTACT RATING:

1.0 VA max. @ 50 V DC max.

DIELECTRIC STRENGTH: 250 V DC min.

CONTACT RESISTANCE: 100 milliohms max.

INSULATION RESISTANCE: 10^9 ohms min.

OPERATING TEMPERATURE: -40°C to $+85^{\circ}\text{C}$.

SOLDERING PROCESS: Suitable for surface mount reflow soldering.

CLEANING: No wash recommended.

PACKAGING: Tape and reel.

KN01: 3,000 pieces per reel.

KN11: 2,500 pieces per reel.

MATERIALS

BASE: PPS (UL 94V-0).

ACTUATOR:

KN01: LCP (UL 94V-0).

KN11: EPDM rubber.

SURFACE PLATE: Stainless steel.

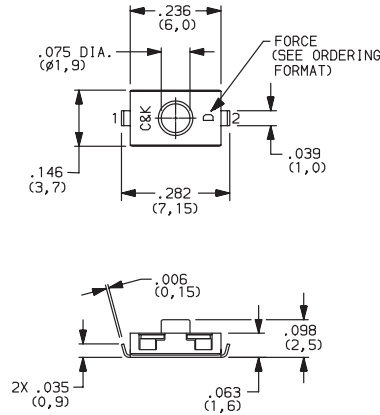
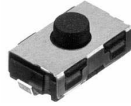
MOVABLE CONTACTS: Stainless steel, silver plate.

STATIONARY CONTACTS: Brass, with silver plate over nickel plate.

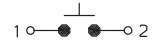
TERMINALS:

KN01: Brass, with silver plate over nickel plate.

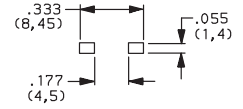
KN11: Brass, with tin-lead alloy over nickel plate.



CIRCUIT DIAGRAM

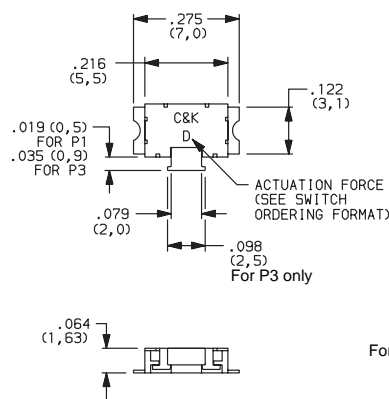
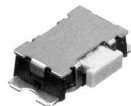


PAD LAYOUT



MODEL NUMBER	OPERATING FORCE (grams)	OPERATING LIFE (k cycles)	TRAVEL (mm)
KN11B1FJM	120	100	0.30
KN11B1DJM	200	200	0.50
KN11B1NJM	450	100	0.60

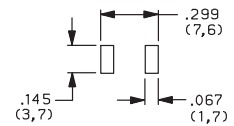
Side Actuated Models (KN01)



CIRCUIT DIAGRAM



PAD LAYOUT



MODEL NUMBER	OPERATING FORCE (grams)	OPERATING LIFE (k cycles)	TRAVEL (mm)
KN01P1DSAQ	200	100	0.30
KN01P3DSAQ	200	100	0.30
KN01P3LSAQ	400	100	0.30