

# KSC4D Series Sealed Detect Switch for SMT

## Features/Benefits

- 6mm Detect
- Soft actuator
- J or G terminations
- Tape & reel
- IP 67
- RoHS compliant and compatible

## Typical Applications

- Automotive
- Cellular phones
- Industrial electronics
- Computer infrastructure and IT



## Specification

FUNCTION: momentary action

CONTACT ARRANGEMENT: 1 make contact = SPST, N.O.

TERMINALS: J bend & Gullwing type for SMT

## Mechanical

Type	Operating force FA <sup>1</sup> Newtons (grams)	Operating life (operations)	Travel
KSC4D1G	2,0 (200)	500,000	0,60 ± 0,4
KSC4D1J			

<sup>1</sup> Tolerances of operating force FA is ± 1N.

## Electrical

MAXIMUM POWER: 1 VA  
 MAXIMUM VOLTAGE: 32 VDC  
 MINIMUM VOLTAGE: 20 mV  
 MAXIMUM CURRENT: 50 mA  
 MINIMUM CURRENT: 1 mA  
 DIELECTRIC STRENGTH (50 Hz, 1 min.): 250 V  
 CONTACT RESISTANCE: < 100 mΩ  
 INSULATION RESISTANCE (100 V): > 10<sup>9</sup> Ω  
 BOUNCE TIME: < 1 ms

NOTE: Part numbers listed above do not represent all possible configurations.  
 For information on specific and custom switches, consult Customer Service Center.

## Electrical

OPERATING TEMPERATURE: -40°C to 85°C  
 STORAGE TEMPERATURE: -55°C to 85°C

## Process

SOLDERING:  
 - Cleaning according to typical washing processes.  
 - Infrared Reflow according to free soldering process.

## Packaging

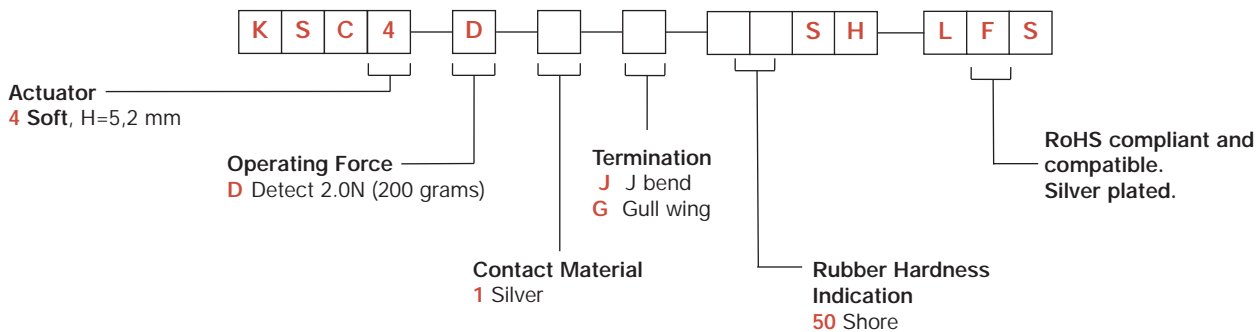
Reels of 1,000 pieces. Dimensions of reels according to EIA RS481 or IEC 2863. External diameter 330 mm ± 2 mm.

## How To Order

Our easy build-a-switch concept allows you to mix and match options to create the switch you need. To order, select desired option from each category and place it in the appropriate box.

However, please note that all the combinations of these options are not feasible.

For any part number different from those listed above, please consult your local representative.



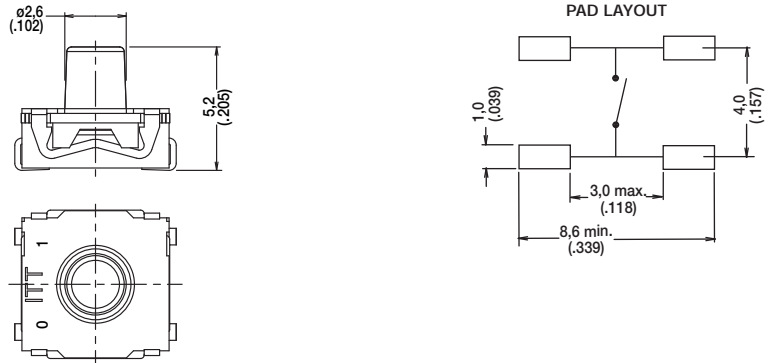
Dimensions are shown: mm (inches)  
 Specifications and dimensions subject to change



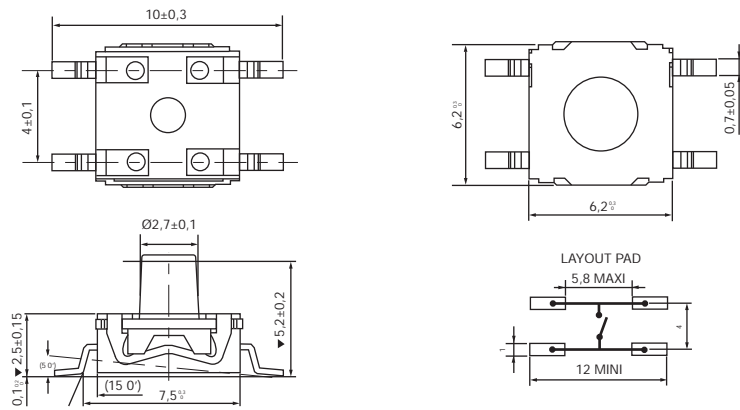
# KSC4D Series Sealed Detect Switch for SMT

ACTUATOR 

**KSC4D1J** SOFT, 5,2 mm high



**KSC4D1G** SOFT, 5,2 mm high



7

Detect

**C&K**



First Angle  
Projection

Dimensions are shown: mm (inches)  
Specifications and dimensions subject to change