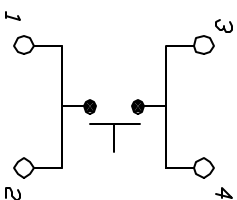
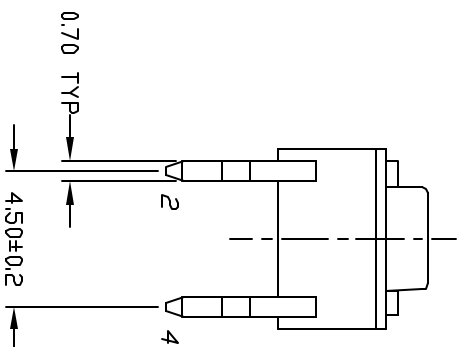
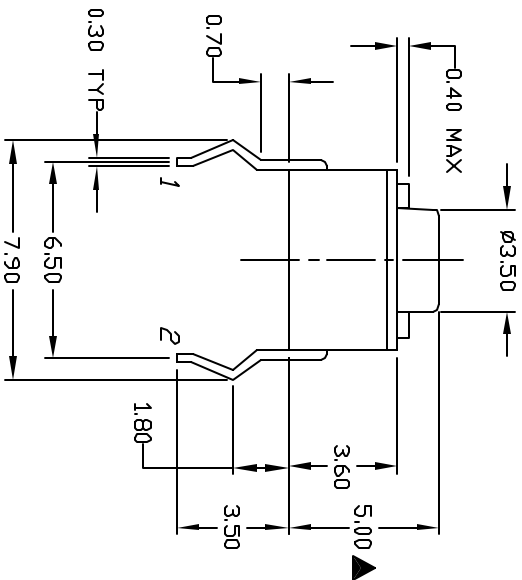


RECOMMENDED PCB LAYOUT

- NOTES:
1. ALL DIMENSIONS IN MM
  2. GENERAL TOLERANCE: 0.0 ± 0.4  
0.00 ± 0.25
  3. TERM. NOS. FOR REF. ONLY
  4. RATING: 50mA, @12V DC
  5. TRAVEL: 0.25 ± 0.1mm
  6. OPERATING FORCE: 250 ± 50gf
  7. CONTACT RESISTANCE: 100m ohms max.
  8. ELECTRICAL LIFE: 100,000 CYCLES MIN.
  9. INSULATION RESISTANCE: 100M ohms min.
  10. DIELECTRIC STRENGTH: 250V RMS MIN.
  11. OPERATING TEMP.: -30°C to +85°C
  12. ▲ DESIGNATE MAJOR DIMENSIONS



CIRCUIT: SPST  
CONTACT CONFIGURATION

REV.	ECN NO.	DESCRIPTION	DATE	CHKD
C	10682	REVISED & REDRAWN	6/14/00	MM
THE INFORMATION CONTAINED IN THIS DOCUMENT IS PROPRIETARY TO E-SWITCH AND IS NOT TO BE COPIED OR TRANSMITTED				

TITLE		SCALE		DATE	DR	DWG	REV
TL 1105A F250 Q		4:1		8/14/96	MM	P010012	C

