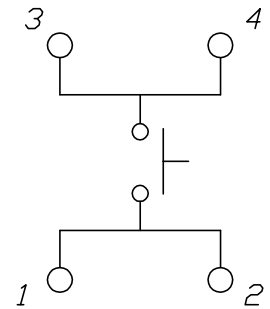
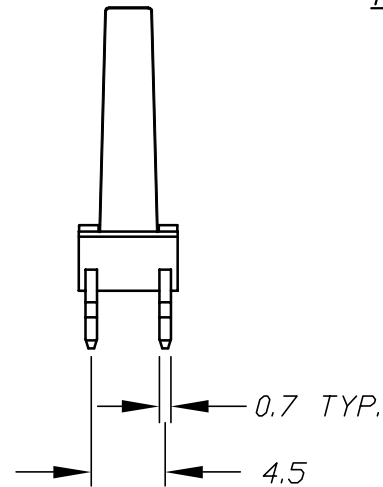
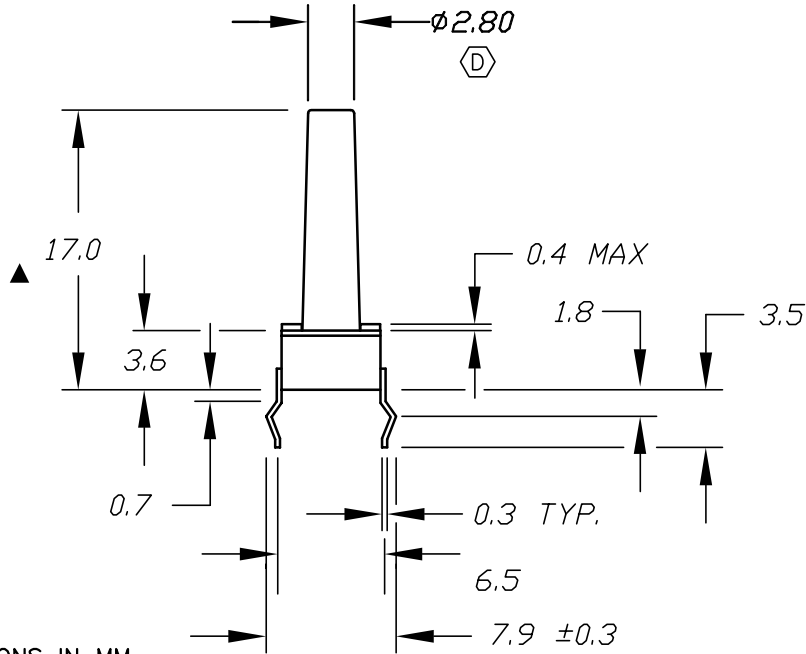


RECOMMEND P.C.B. HOLES



CIRCUIT: SPST
CONTACT CONFIGURATION

NOTES:

1. ALL DIMENSIONS IN MM
2. GENERAL TOLERANCE: X.X=±0.4
3. TERM. NOS. FOR REFERENCE ONLY.
4. RATING: DC 12V, 50mA X.XX=±0.25
5. TRAVEL: 0.25±0.1mm
6. CONTACT RESISTANCE: 100m Ohms Max,
7. INSULATION RESISTANCE: 100M Ohms Min.
8. DIELECTRIC STRENGTH: 250V RMS Min.
9. LIFE: 100,000 CYCLES Min.

| | | | | |
|------|---------|--------------------------|---------|------|
| D | 14234 | DIM Ø2.80 WAS Ø3.40 | 8/17/04 | AR |
| C | 13211 | CORRECT TITLE | 6/13/03 | AR |
| B | 11425 | DIM. CHANGE Ø2.8 TO Ø3.4 | 4/20/01 | RJC |
| REV. | ECN No. | DESCRIPTION | DATE | CHKD |

THE INFORMATION CONTAINED IN THIS DOCUMENT IS PROPRIETARY TO E-SWITCH AND IS NOT TO BE COPIED OR TRANSFERRED

| | | | | |
|--------------------|---------|-----|---------|-----|
| E-SWITCH® | | | | |
| TITLE TL1105LF160Q | | | | |
| SCALE | DATE | DR | DWG | REV |
| 2:1 | 4/17/01 | CJB | D310009 | D |