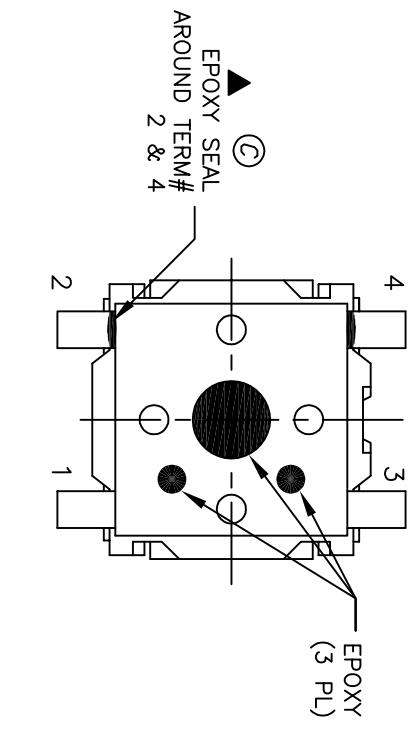
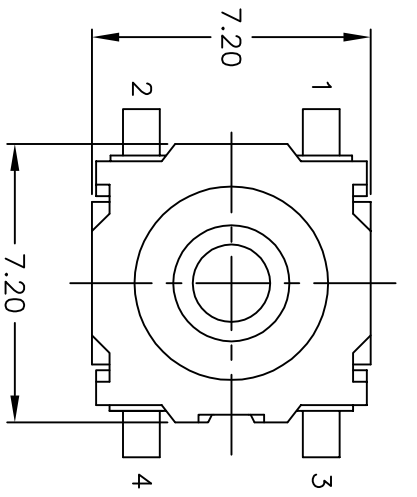
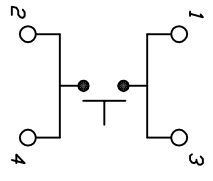


RECOMMENDED P.C.B. LAYOUT



BOTTOM VIEW

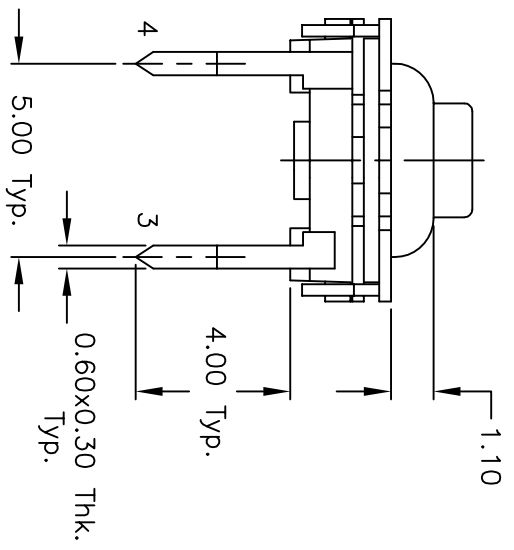
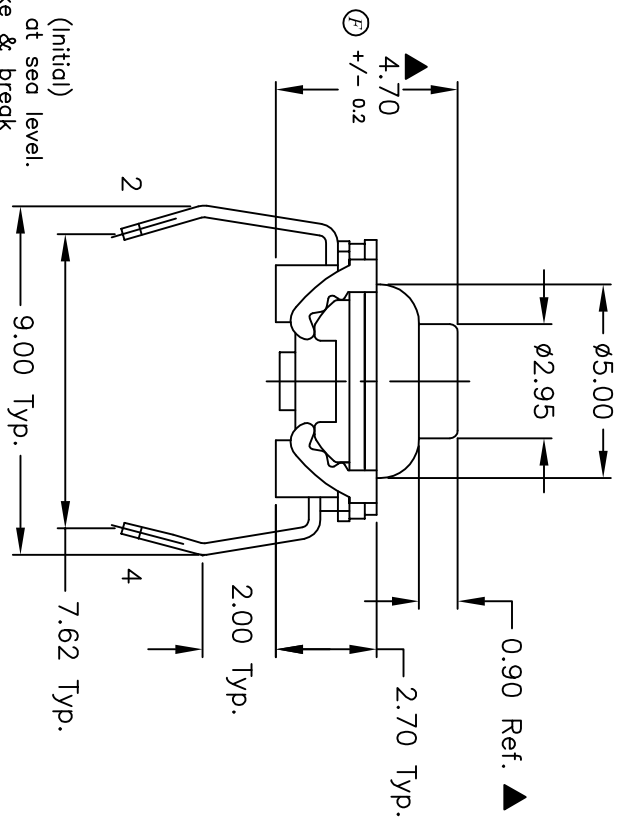


CIRCUIT: SPST

CONTACT CONFIGURATION

NOTES:

1. ALL DIMENSIONS IN MM [INCH]
2. GENERAL TOLERANCE: X.X=±0.4
X.XX=±0.25
3. TERM. NOS. FOR REF. ONLY
4. OPERATING FORCE: 130±40gf
5. TRAVEL TO MAKE: 0.3mm +0.4/-0.0
6. RATING: 30mA, @12V DC
7. CONTACT RESISTANCE: 50 MILLI-OHMS (Initial)
8. DIELECTRIC STRENGTH: 300V RMS min at sea level.
9. ELECTRICAL LIFE CYCLE: 400,000 make & break cycles at full load.
10. INSULATION RESISTANCE: 100Mega-Ohms min (Between Adjacent contacts).
11. CONTACT BOUNCE: 10ms
12. OPERATING TEMP. -40°C to 80°C
13. ▲ DESIGNATE MAJOR FEATURE:
14. 2002/95/EC (ROHS) COMPLIANT



REV.	ECN No.	DESCRIPTION	DATE	CHKD
F	18193	BUTTON LENGTH TOLERANCE CHG.	7/31/08	BLR
E	15471	REV. BOTTOM VIEW	10/28/05	PH
D	12191	REVISED NOTE 9, ADD NOTES	8/22/02	CB

TITLE		SCALE	DATE	DR	DWG	REV
GS 4.70 F130 QP		5:1	7/31/08	BLR	L400000	F



THE INFORMATION CONTAINED IN THIS DOCUMENT IS PROPRIETARY TO E-SWITCH AND IS NOT TO BE COPIED OR TRANSFERRED